



**Connect Tech Inc.**  
Embedded Computing Experts

# USERS GUIDE



## Rudi Embedded System with NVIDIA Jetson TX2 or TX2i

CTIM-00479 Revision 0.09 2021-10-15



**CONNECT TECH**  
[www.connecttech.com](http://www.connecttech.com)  
[support@connecttech.com](mailto:support@connecttech.com)

# TABLE OF CONTENTS

<b>Table of Contents .....</b>	<b>2</b>
<b>Preface .....</b>	<b>4</b>
Disclaimer .....	4
Customer Support Overview .....	4
Contact Information .....	4
Limited Product Warranty .....	5
Copyright Notice .....	5
Trademark Acknowledgment .....	5
ESD Warning .....	6
<b>Revision History .....</b>	<b>6</b>
<b>Introduction .....</b>	<b>7</b>
Product Features and Specifications .....	7
Part Numbers / Ordering Information .....	8
<b>Product Overview .....</b>	<b>9</b>
Connector Locations (Front) .....	9
Connector Locations (Rear) .....	10
Connector Summary .....	11
Switch Summary .....	11
Block Diagram .....	12
<b>Detailed Feature Description .....</b>	<b>13</b>
Power Input .....	13
Power Input (Alternate 2 pin Terminal ESG505/506) .....	13
USB OTG .....	14
I/O Connector .....	14
10/100/1000 Ethernet (GBE) .....	15
USB 3.0 .....	15
USB 2.0 .....	15
HDMI .....	16
Antenna 1 .....	16
Antenna 2 .....	16
CAN Bus .....	17
SD Card .....	17
SIM Card .....	17
<b>Switch Description .....</b>	<b>17</b>
Power Button .....	18
Reset Button .....	18
Recovery Button .....	18
Force Recovery Mode .....	18
RTC Battery .....	19
<b>Expansion Options .....</b>	<b>20</b>
miniPCIe Expansion Card .....	20

mSATA Expansion Card .....	20
<b>Rudi Operation.....</b>	<b>20</b>
<b>System LEDs .....</b>	<b>21</b>
<b>Current Consumption Details .....</b>	<b>22</b>
<b>Accessories.....</b>	<b>22</b>
Power Brick .....	22
CAN Bus Terminal Connector .....	22
Dual Band Antenna.....	23
Mounting Brackets .....	23
MISC I/O Breakout Cable.....	24
<b>Software / BSP Details .....</b>	<b>25</b>
Connect Tech’s Custom L4T BSP (CTI-L4T) .....	25
NVIDIA Linux For Tegra (L4T).....	25
NVIDIA Jetpack for L4T .....	25
<b>Mechanical Details.....</b>	<b>26</b>
Rudi Embedded System.....	26
Mechanical Mounting Package .....	27
Bottom Disassembly Instructions (ESD CAUTION!).....	28

## PREFACE

### Disclaimer

The information contained within this user's guide, including but not limited to any product specification, is subject to change without notice.

Connect Tech assumes no liability for any damages incurred directly or indirectly from any technical or typographical errors or omissions contained herein or for discrepancies between the product and the user's guide.

### Customer Support Overview

If you experience difficulties after reading the manual and/or using the product, contact the Connect Tech reseller from which you purchased the product. In most cases the reseller can help you with product installation and difficulties.

In the event that the reseller is unable to resolve your problem, our highly qualified support staff can assist you. Our support section is available 24 hours a day, 7 days a week on our website at: <https://connecttech.com/support/resource-center/>. See the contact information section below for more information on how to contact us directly. Our technical support is always free.

### Contact Information

Contact Information	
<b>Mail/Courier</b>	Connect Tech Inc. Technical Support 489 Clair Rd. W. Guelph, Ontario Canada N1L 0H7
<b>Contact Information</b>	<a href="mailto:sales@connecttech.com">sales@connecttech.com</a> <a href="mailto:support@connecttech.com">support@connecttech.com</a> <a href="http://www.connecttech.com">www.connecttech.com</a>  Toll Free: 800-426-8979 (North America only) Telephone: +1-519-836-1291 Facsimile: 519-836-4878 (on-line 24 hours)
<b>Support</b>	Please go to the <a href="#">Connect Tech Resource Center</a> for product manuals, installation guides, device drivers, BSPs and technical tips.  Submit your <a href="#">technical support</a> questions to our support engineers. Technical Support representatives are available Monday through Friday, from 8:30 a.m. to 5:00 p.m. Eastern Standard Time.

## Limited Product Warranty

Connect Tech Inc. provides a one-year Warranty for the Rudi Embedded System. Should this product, in Connect Tech Inc.'s opinion, fail to be in good working order during the warranty period, Connect Tech Inc. will, at its option, repair or replace this product at no charge, provided that the product has not been subjected to abuse, misuse, accident, disaster or non-Connect Tech Inc. authorized modification or repair.

You may obtain warranty service by delivering this product to an authorized Connect Tech Inc. business partner or to Connect Tech Inc. along with proof of purchase. Product returned to Connect Tech Inc. must be pre-authorized by Connect Tech Inc. with an RMA (Return Material Authorization) number marked on the outside of the package and sent prepaid, insured and packaged for safe shipment. Connect Tech Inc. will return this product by prepaid ground shipment service.

The Connect Tech Inc. Limited Warranty is only valid over the serviceable life of the product. This is defined as the period during which all components are available. Should the product prove to be irreparable, Connect Tech Inc. reserves the right to substitute an equivalent product if available or to retract the Warranty if no replacement is available.

The above warranty is the only warranty authorized by Connect Tech Inc. Under no circumstances will Connect Tech Inc. be liable in any way for any damages, including any lost profits, lost savings or other incidental or consequential damages arising out of the use of, or inability to use, such product.

## Copyright Notice

The information contained in this document is subject to change without notice. Connect Tech Inc. shall not be liable for errors contained herein or for incidental consequential damages in connection with the furnishing, performance, or use of this material. This document contains proprietary information that is protected by copyright. All rights are reserved. No part of this document may be photocopied, reproduced, or translated to another language without the prior written consent of Connect Tech, Inc.

Copyright © 2021 by Connect Tech, Inc.

## Trademark Acknowledgment

Connect Tech, Inc. acknowledges all trademarks, registered trademarks and/or copyrights referred to in this document as the property of their respective owners. Not listing all possible trademarks or copyright acknowledgments does not constitute a lack of acknowledgment to the rightful owners of the trademarks and copyrights mentioned in this document.

## ESD Warning



Electronic components and circuits are sensitive to ElectroStatic Discharge (ESD). When handling any circuit board assemblies including Connect Tech COM Express carrier assemblies, it is recommended that ESD safety precautions be observed. ESD safe best practices include, but are not limited to:

- Leaving circuit boards in their antistatic packaging until they are ready to be installed.
- Using a grounded wrist strap when handling circuit boards, at a minimum you should touch a grounded metal object to dissipate any static charge that may be present on you.
- Only handling circuit boards in ESD safe areas, which may include ESD floor and table mats, wrist strap stations and ESD safe lab coats.
- Avoiding handling circuit boards in carpeted areas.
- Try to handle the board by the edges, avoiding contact with components.

## REVISION HISTORY

Revision	Date	Changes
0.00	2016/12/22	Initial Release
0.01	2017/02/24	Added disassembly instructions, mounting bracket details, updated part numbers
0.02	2017/08/04	Added cable drawing links, removed drawings from doc
0.03	2017/08/28	Updated 3D model link
0.04	2017/10/19	Updated the power adapter reference P/N for ESG505/506's Added TX2 relevant info
0.05	2017/12/12	Updated TX2 specs
0.06	2018/01/19	Updated photos
0.07	2018/02/06	Updated product name & URL
0.08	2019/04/08	Updated to TX2i, Updated HDMI and PNs
0.09	2021/10/15	Updated format, Updated address, Removed TX1 references



## INTRODUCTION

Connect Tech's Rudi is a small form factor embedded system based on the NVIDIA® Jetson™ TX2/TX2i. Housed in a compact enclosure with optional mounting brackets. Rudi features revolutionary the NVIDIA Pascal™ based architecture with 256 CUDA cores delivering over 1 TeraFLOP of performance with a 64-bit Quad or Hex core ARM A57 CPU.

### Product Features and Specifications

Specifications	
<b>Processor</b>	NVIDIA Jetson TX2/TX2i
<b>Memory</b>	TX2: 8GB LPDDR4
<b>Storage</b>	TX2: 32GB eMMC
<b>Display</b>	1x HDMI Type A Link (Supports up to HDMI 2.0 UHD 4K [2160p] at 60Hz)
<b>Ethernet</b>	2x Gigabit Ethernet (10/100/1000) Links
<b>USB</b>	3x USB 2.0, 2x USB 3.0 Links
<b>WiFi</b>	IEEE 802.11 ac
<b>Bluetooth</b>	Bluetooth 4.0 (24 Mbps)
<b>Serial</b>	2x RS-232 (Default: 1 console, 1 general purpose)
<b>CAN Bus</b>	1x CAN Bus 2.0b
<b>Power Operation</b>	Auto Power On in Event of Power Failure External Power On/Off Control Button
<b>Power Requirement</b>	+12V DC Input Nominal
<b>Operating Temperature</b>	-20°C to +80°C with Minimum Airflow of 25 CFM for Standalone Operation
<b>Dimensions</b>	Without Mounting Bracket: 135mm x 50mm x 105mm (5.31" x 1.97" x 4.13")
<b>Weight</b>	0.703kg / 1.55lb (base enclosure only)
<b>Accessories (included)</b>	12V Power Supply Brick (90~264 Vac), Power supply adapter (ESG505/506 only), and a CAN Bus Terminal Connector
<b>Accessories (optional)</b>	Dual Band Antenna, Edge Mounting Brackets, I/O breakout cable.
<b>Warranty and Support</b>	1 Year Warranty and Free Support

## Part Numbers / Ordering Information

Part Number		
<b>Ordering Part Numbers Rudi Enclosure with TX2 and DC Barrel Power Connector</b>  	<b>Manual Power On/Off Switch</b>	<b>Auto-Power On Mode</b>
	ESG503-21 – North America	ESG504-21 – North America
	ESG503-22 – EU	ESG504-22 – EU
	ESG503-23 – Israel	ESG504-23 – Israel
	ESG503-24 – Korea	ESG504-24 – Korea
	ESG503-25 – China	ESG504-25 – China
<b>Ordering Part Numbers Rudi Enclosure with TX2 and 2 Pin Locking Terminal Power Connector</b>  	<b>Manual Power On/Off Switch</b>	<b>Auto-Power On Mode</b>
	ESG505-21 – North America	ESG506-21 – North America
	ESG505-22 – EU	ESG506-22 – EU
	ESG505-23 – Israel	ESG506-23 – Israel
	ESG505-24 – Korea	ESG506-24 – Korea
	ESG505-25 – China	ESG506-25 – China
<b>Ordering Part Numbers for Accessories</b>	MSG067	Mounting Bracket (x2)
	MSG066	Dual Band SMA Antenna
	CBG258	MISC I/O Cable: 2x6 Pin (0.100" pitch) to Flying lead (12" length)



## PRODUCT OVERVIEW

### Connector Locations (Front)



### Connector Locations (Rear)



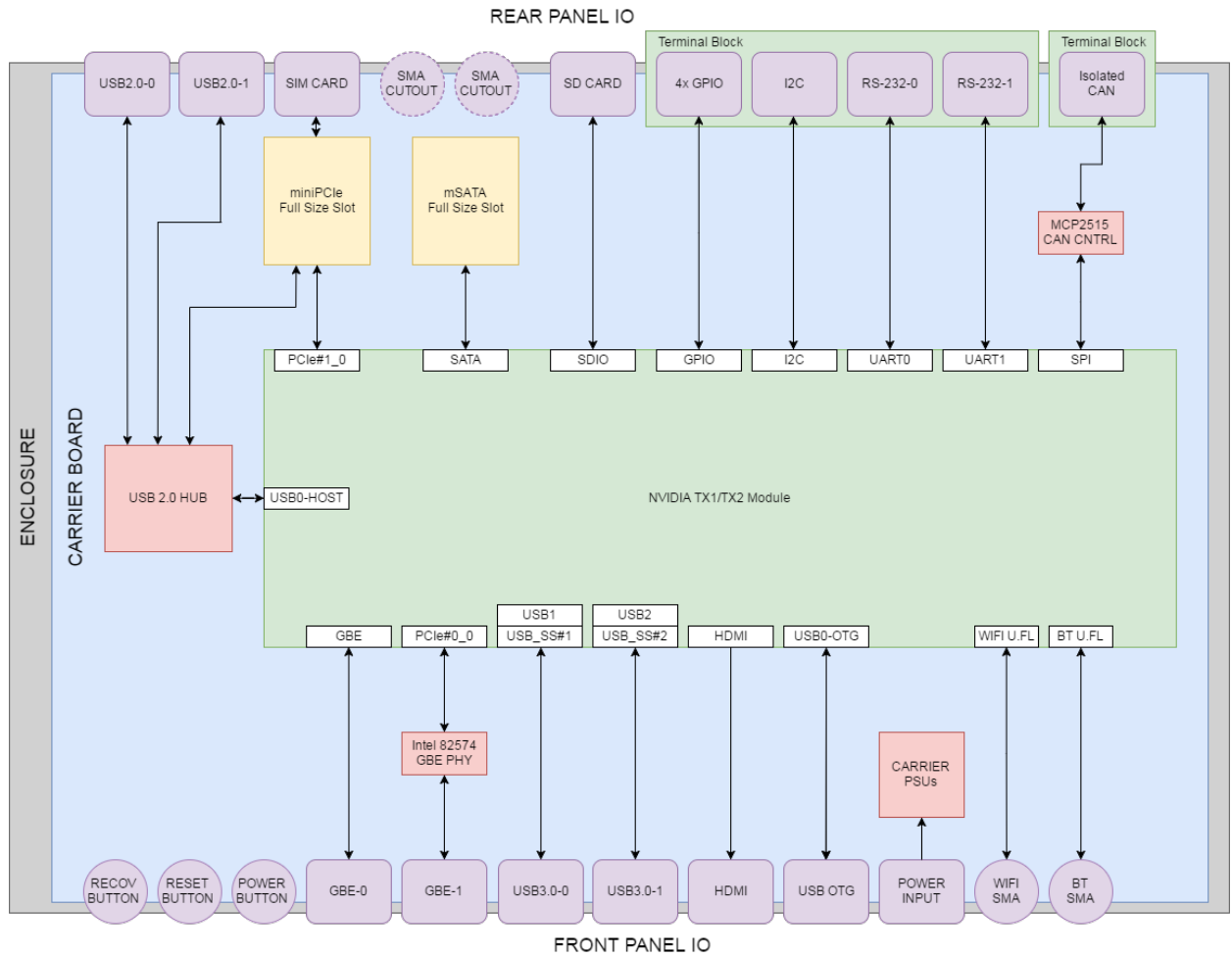
## Connector Summary

Designator	Connector	Description
12V PWR	Power Input	Power Input Connector – 2.1mm Barrel. Or Two Pin Terminal Connector 3.5mm Pitch
OTG USB	USB micro	USB 2.0 micro Type A/B Connector
USB 3.0 A	USB 3.0 Port A	USB 3.0 SuperSpeed Type A Connector
USB 3.0 B	USB 3.0 Port B	USB 3.0 SuperSpeed Type A Connector
USB 2.0 A	USB 2.0 Port A	USB 2.0 Port 1 Type A Connector
USB 2.0 B	USB 2.0 Port B	USB 2.0 Port 2 Type A Connector
HDMI	HDMI	HDMI Type A Connector
GbE 1	Gigabit Ethernet Port 1	Gigabit Ethernet (10/100/1000) Port 1 RJ-45 (TX2/TX2i)
GbE 2	Gigabit Ethernet Port 2	Gigabit Ethernet (10/100/1000) Port 2 RJ-45 (Intel)
ANT 1	Antenna 1	NVIDIA Jetson TX2/TX2i J8 U.FL (WiFi)
ANT 2	Antenna 2	NVIDIA Jetson TX2/TX2i J9 U.FL (Bluetooth)
SD Card	SD Card	Full Size SD card Push/Push Connector
Sim Card	Sim Card	Standard Size SIM Card Push/Push Connector (used with onboard miniPCle site only).
CAN Bus	3 Pin Terminal Block	3 Pin Terminal Block 3.5mm pitch
I/O	12 Pin Header Block	12 Pin 0.100" 6x2 Header Block (I2C, GPIO and UARTs)

## Switch Summary

Designator	Function	Description
Power Button	Power ON/OFF	Rudi System Power ON/OFF Button
Reset	Hardware Reset	Rudi System Reset push button
Recovery	Force Recovery	Used for TX2/TX2i system programming (used in conjunction with the dual purpose USB OTG port).

## Block Diagram



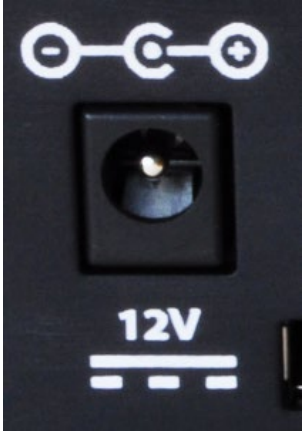
## DETAILED FEATURE DESCRIPTION

The Rudi Embedded System is an NVIDIA Jetson TX2/TX2i based embedded system. The Rudi comes with an NVIDIA Jetson TX2/TX2i preloaded with the latest Linux for Tegra (Ubuntu) with the Connect Tech Board Support Package installed.

### Power Input

The Rudi Embedded System accepts a single power input to power the entire system. An input range of +12.0V +/- 10% DC is required. In addition, both reverse polarity protection, and surge protection has been designed into the Rudi Embedded System.


Function	Power	
Location	Rear panel 12V PWR	
Type	DC Barrel Connector 2.0mm center pin 2.5A Max rated	
Pinout	Pin	Description
	Inner	Power
	Outer	GND
	Power Input Range: +12V +/-10%	
Features	The power input has reverse polarity and surge protection built in.	



### Power Input (Alternate 2 pin Terminal ESG505/506)

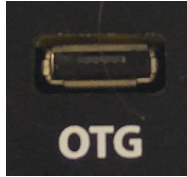
The Rudi Embedded System accepts a single power input to power the entire system. An input range of +12.0V +/- 10% DC is required. In addition, both reverse polarity protection, and surge protection has been designed into the Rudi Embedded System.

Function	Power	
Location	Rear panel 12V PWR	
Type	Two (2) Pin Terminal Connector 3.5mm pitch with screw locking.	
Mating	1847055	
Pinout	Pin	Description
	Left	GND
	Right	POWER
	Power Input Range: +12V +/-10%	
Features	The power input has reverse polarity and surge protection built in.	



## USB OTG

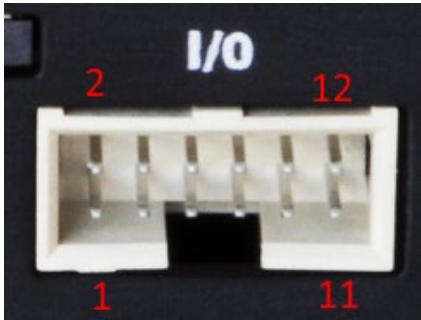
Function	USB 2.0 port (Host or Target device capable)
Location	Front panel OTG
Type	Micro USB Type A/B
Features	Multi-function port. Used as a 3 <sup>rd</sup> USB 2.0 Host port, or during Force Recovery mode it becomes a Target device port that can attach to another host to interface directly to the TX2/TX2i for flash reprogramming operations.



## I/O Connector

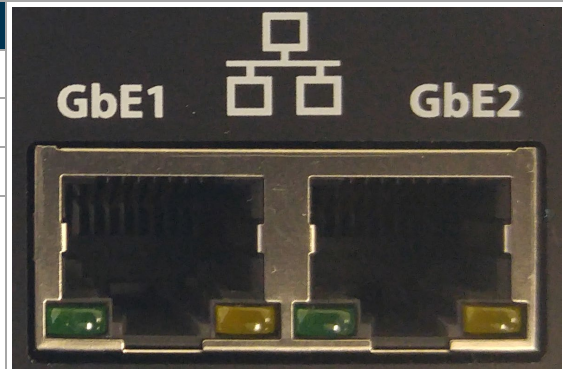
The Rudi Embedded System has a console port to allow for remote or headless use of the System. With an RS-232 Link, the RS232 Console port allows for additional debug of the Rudi Embedded System.

Function	Misc I/O Features (I2C, GPIO, UARTs)		
Location	Rear panel I/O connector		
Type	2x6 0.100" pitch Header Block		
Pinout	Pin	Signal	Description
	1	I2C_CLK	3.3V General Purpose I2C Bus Clock. (Attached to TX1 I2C-0)
	2	I2C_DATA	3.3V General Purpose I2C Bus Data. (Attached to TX1 I2C-0)
	3	GND	Digital GND
	4	GND	Digital GND
	5	GPIO1	3.3V General Purpose I/O
	6	GPIO2	3.3V General Purpose I/O
	7	GPIO3	3.3V General Purpose I/O
	8	GPIO4	3.3V General Purpose I/O
	9	UART1_RX	General Purpose UART RS-232 Receive.
	10	UART1_TX	General Purpose UART RS-232 Transmit.
	11	UART0_RX	Console UART RS-232 Receive.
12	UART0_TX	Console UART RS-232 Transmit.	
Features	This port includes a variety of add-on features for General purpose use. One I2C bus, Four GPIOs and two UARTs.		



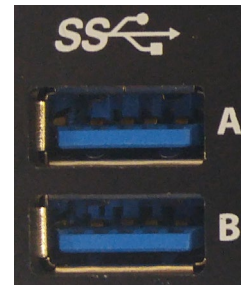
## 10/100/1000 Ethernet (GbE)

Function	Gigabit Ethernet Connector
Location	Front panel GbE1 and GbE2
Type	Standard RJ45 receptacle
Pinout	Standard GbE pinout
Features	<p>GbE 1 – TX2/TX2i direct controller port capable of 10/100/1000 Base-T Gigabit Ethernet</p> <p>GbE 2 – PCIe Intel based controller port capable of 10/100/1000 Base-T Gigabit Ethernet.</p>



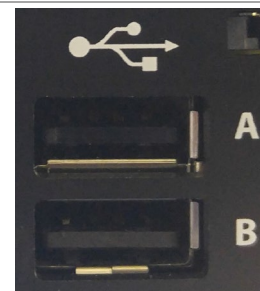
## USB 3.0

Function	USB 3.0
Location	Front panel SS-A, SS-B
Type	Industry Standard USB 3.0 Type A Connector
Pinout	Standard USB 3.0 pinout
Features	SuperSpeed USB 3.0 interfaces capable of either USB 3.0 or USB 2.0 interfaces.




## USB 2.0

Function	USB 2.0
Location	Rear panel USB-A, USB-B
Type	Industry Standard USB 2.0 Type A Connector
Pinout	Standard USB 2.0 pinout
Features	Full Speed USB 2.0 interfaces. Note these ports are disabled during Force Recovery Mode.






## HDMI

Function	HDMI v1.4b Display Interface	
Location	Front panel HDMI	
Type	Standard HDMI Type A receptacle.	
Pinout	Standard HDMI 1.4b pinout	
Features	HDMI Display output, capable of resolution up to 3840×2160.	


## Antenna 1

The Rudi Embedded System enables access to the NVIDIA Jetson WiFi and Bluetooth modems. The external SMA Antenna 1 Connector is attached internally to the J8 U.FL on the Jetson TX2/TX2i.

Function	Antenna 1	
Location	Front panel ANT1	
Type	Micro High Frequency SMA Connector (Female socket)	
Features	Dual Band capable WiFi Antenna port 2.4/5.8GHz	

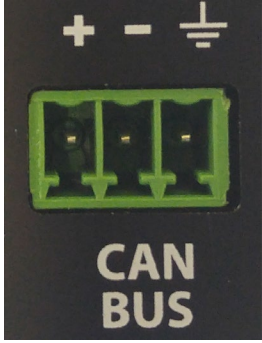
## Antenna 2

The Rudi Embedded System enables access to the NVIDIA Jetson WiFi and Bluetooth modems. The external SMA Antenna 2 Connector is attached internally to the J9 U.FL on the Jetson TX2/TX2i.

Function	Antenna 2	
Location	Front panel ANT2	
Type	Micro High Frequency SMA Connector (Female socket)	
Features	Bluetooth Antenna port – 2.45GHz	




## CAN Bus

Function	CAN Bus	
Location	Rear panel CAN BUS	
Type	Three pin 3.5mm Terminal connector	
Pinout	'+' = CAN_H '-' = CAN_L GND = Isolated CAN Bus GND signal.	
Features	CAN Bus 2.0b capable interface with an internally isolated GND reference.  Mating connector P/N options: Phoenix Contact - # 1840379 On Shore Technology Inc. - # OSTTJ0311530	

## SD Card

Function	Full Size SD Card	
Location	Rear panel SD CARD	
Type	Full size Push/Push SD Card connector	
Features	Standard Full size Secure Digital Card interface for use with SDHC and Standard SD Cards.	

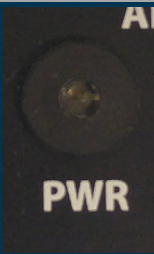
## SIM Card

Function	Full Size SIM Card	
Location	Rear panel SIM	
Type	Full size Push/Push SIM card connector	
Features	Full size SIM card interface that is used exclusively with the mPCIe port when used in conjunction with a mPCIe Cell modem expansion card.	

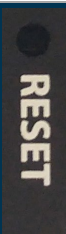
## SWITCH DESCRIPTION

The Rudi Embedded System has a single Power Button on the Front Faceplate.


## Power Button

Function	Power Button	
Notes	<p>A nearly flush switch with an easy toggle press to turn the system on. A Blue light in the centre will indicate the system is fully powered.</p> <p>The System will turn off if the PWR button is held for several seconds.</p>	

## Reset Button

Function	Reset Button	
Notes	<p>System Reset button. The button is slightly recessed so it is protected from accidental contact. The paperclip sized hole provides access.</p>	

## Recovery Button

Function	Recovery Button	
Notes	<p>Used in conjunction with the USB OTG port for reprogramming the TX2/TX2i onboard eMMC drive.</p> <p>By holding this button and powering on the system (or toggling reset), the TX2/TX2i will enter recovery mode for reprogramming. It also turns the USB OTG port into a target device port instead of a host port to enable another system to discover it over USB.</p>	

## Force Recovery Mode

USB OTG Port of the Rudi can be used to reprogram the TX2/TX2i when put into force recovery mode. To enable force USB recovery mode using the Rudi Embedded System follow the steps below:

1. Power down the system completely. The system power **MUST** be OFF, not in suspend or sleep mode.
2. Connect the OTG USB port to another host device that will be supplying the new system file.

3. Using a paper clip or similar depress the Recovery button
4. Power on the system with the Recovery button still depressed. After three (3) seconds release the Recovery button.
5. The TX2/TX2i will show up on the host system as a new NVIDIA Target device.
6. After successfully updating the system software, power off the system. A clean power up will revert the OTG port back into host mode.

## RTC Battery

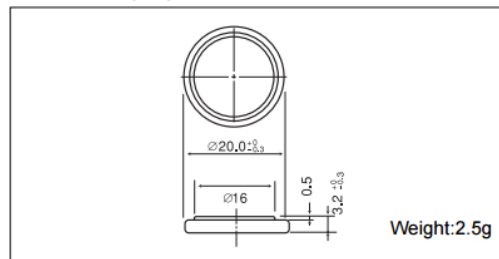
Included in the Rudi Embedded System is a BR2032 coin battery to provide RTC backup power for the TX2/TX2i.

Information about battery life can be found in CTI App Note CTIN-00009

<https://www.connecttech.com/pdf/CTIN-00009.pdf>.

The battery is a poly-carbon-monofluoride Lithium coin cell, some details can be found below.

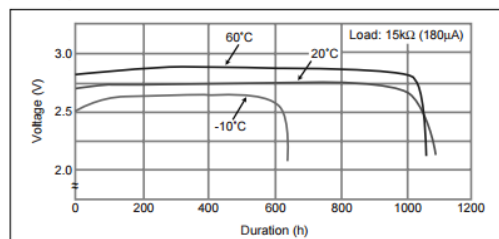
### ■ Dimensions(mm)



### ■ Specification

<b>Nominal voltage (V)</b>	3
<b>Nominal capacity (mAh)</b>	190
<b>Continuous standard load (mA)</b>	0.03
<b>Operating temperature (C)</b>	-30 ~ +80

### ■ Temperature Characteristics



## EXPANSION OPTIONS

The Rudi Embedded System has two internal expansion ports. One full size miniPCIe Expansion Slot and one full size mSATA slot.

### miniPCIe Expansion Card

<b>Function</b>	<b>Full size miniPCIe expansion slot</b>
<b>Location</b>	Internal
<b>Features</b>	<p>The internal mPCIe supports either a PCIe or USB2.0 based expansion card that allows adding features to the Rudi to include options like:</p> <ul style="list-style-type: none"> <li>• 3G-SDI Video Capture</li> <li>• Analog Video Capture (NTSC/PAL)</li> <li>• GbE Expansion</li> <li>• Multi-port Serial</li> <li>• Cell Modem</li> </ul>

### mSATA Expansion Card

<b>Function</b>	<b>Full size mSATA expansion slot</b>
<b>Location</b>	Internal
<b>Features</b>	The internal mSATA slot supports addition storage up to 1TB.

Contact [sales@connecttech.com](mailto:sales@connecttech.com) for details on expansion port options.

## RUDI OPERATION

1. Ensure external power supply is turned OFF and unplugged from the AC power source.
2. Connect power cable from the +12V brick supply to the Rudi Embedded System. Ensure that the power supply being used is in the acceptable range of +12V +/-10%.
3. Connect any additional system cables such as USB, Ethernet, HDMI etc.
4. Switch ON the Power Supply. DO NOT power up your system by plugging in live power. The system protects from some surges, but it is good practice to plug the barrel connector in to Rudi, before plugging the brick into an AC source.

- a. Toggle the front PWR button on the the Rudi Embedded System for startup if an ESG503. Please allow 15 to 30 seconds to power up into the Linux for Tegra (L4T) Ubuntu Operating System.
- b. If Auto-Power On Mode is enabled, the Rudi will power on as soon as power is applied.

## SYSTEM LEADS

The Rudi Embedded System has 5 System LEDs on the front, with 3 different colours.

LED	Description	LED Colour
PWR	System Power	Blue
ACT1	Gigabit Ethernet ACT 1	Orange
LINK1	Gigabit Ethernet LINK 1	Green
ACT2	Gigabit Ethernet ACT 2	Orange
LINK2	Gigabit Ethernet LINK 2	Green

The LEDs can be found on the front panel of the Rudi Embedded System.

## CURRENT CONSUMPTION DETAILS

Below are the maximum ratings of the Rudi Embedded System.

Theoretical Maximum	Amps	Watts
Theoretical absolute maximum total draw of all functionality on the Rudi Embedded System	1.7A	21W

Please refer to the NVIDIA Jetson TX2/TX2i manual for full details on the current consumption and operational details.

Actual Measurements	Amps	Watts
System Idle	0.400A	4.8W
HDMI video output, USB keyboard/mouse, 2x GBE running, system sitting in Ubuntu Desktop (GUI)	0.600A	7.2W

## ACCESSORIES

### Power Brick

Included with the Rudi Embedded System is a +12Vdc 65W power brick capable of accepting 90-264Vac (47-63Hz) power input.



If using the 2-terminal locking power connector (ESG505/506), CBG277 will be provided for adapting the above power supply to the Rudi power input. [View the CBG277 drawing.](#)

### CAN Bus Terminal Connector

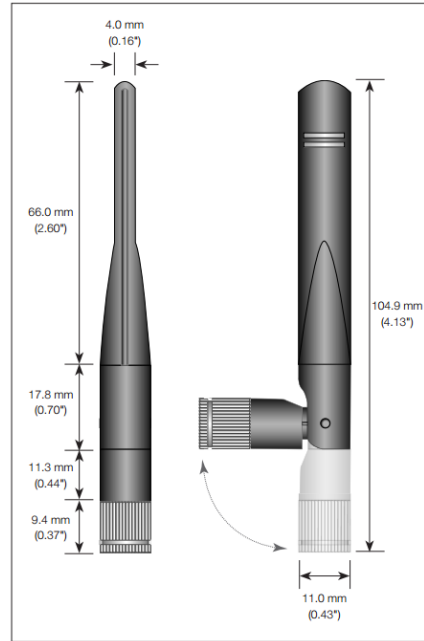
Another included accessory is a 3 pin CAN Bus terminal connector for ease-of-use wiring using screw clamp terminals.



## Dual Band Antenna

An optional accessory is a standard dual band antenna for use with the WiFi and Bluetooth modems. The antenna comes with an SMA Male connector and a tilt feature.

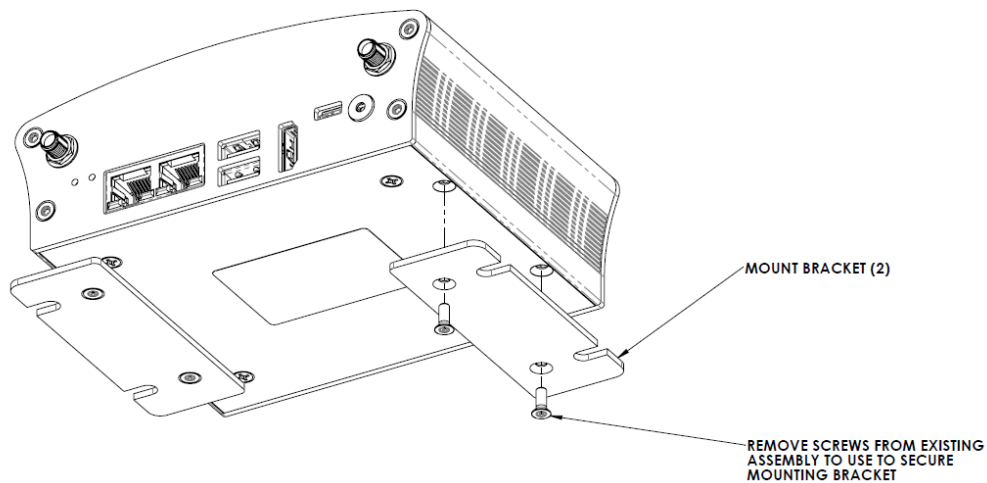
CTI P/N: MSG066



## Mounting Brackets

An optional accessory is (2) two flush mount brackets to fasten Rudi to another surface.

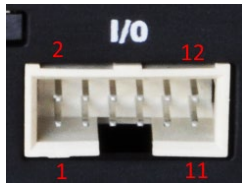
CTI P/N: MSG067



## MISC I/O Breakout Cable

An optional accessory for the MISC I/O connector is available to help breakout the connections to flying leads. The cable is a standard 2x6 position 0.100" pitch socket header with 12" of flying lead to configure as required.

CTI P/N: CBG258. [View the drawing.](#)





## SOFTWARE / BSP DETAILS

All Connect Tech NVIDIA Jetson TX2/TX2i based products are built upon a modified Linux for Tegra (L4T) Device Tree that is specific to each CTI product.

**WARNING:** The hardware configurations of CTI's products differ from that of the NVIDIA supplied evaluation kit. Please review the product documentation and install ONLY the appropriate CTI L4T BSPs. Failure to follow this process could result in non-functional hardware.

### Connect Tech's Custom L4T BSP (CTI-L4T)

Connect Tech offers a custom BSP to add additional peripheral support on CTI's Jetson Carrier Boards. The CTI-L4T can be downloaded directly from Connect Tech here:

<https://connecttech.com/product/rudi-embedded-system-with-nvidia-jetson-tx2-tx1/>

BSPs, supporting documentation and release notes can be found at:

<https://www.connecttech.com/jetson>

<https://connecttech.com/resource-center/cti-l4t-nvidia-jetson-board-support-package-release-notes/>

### NVIDIA Linux For Tegra (L4T)

The Rudi Embedded System is designed to be used with the stock **NVIDIA Linux For Tegra (L4T) Builds**. However, the Connect Tech Board Support Package is required for full functionality.

NVIDIA's L4T can be downloaded directly from NVIDIA here:

<https://developer.nvidia.com/embedded/>

### NVIDIA Jetpack for L4T

The JetPack for L4T is an on-demand all-in-one package that bundles and installs all software tools required to develop for the NVIDIA's TX2/TX2i Platform with Connect Tech's Jetson Carrier Boards. JetPack includes host and target development tools, APIs and packages (OS images, tools, APIs, middleware, samples, documentation including compiling samples) to enable developers to jump start their development environment for developing with the Jetson Embedded Platform. The latest release of JetPack runs on an Ubuntu 14.04 Linux 64-bit host system and supports both the latest Jetson TX2/TX2i Development Kit and Jetson TK1 Development Kit.

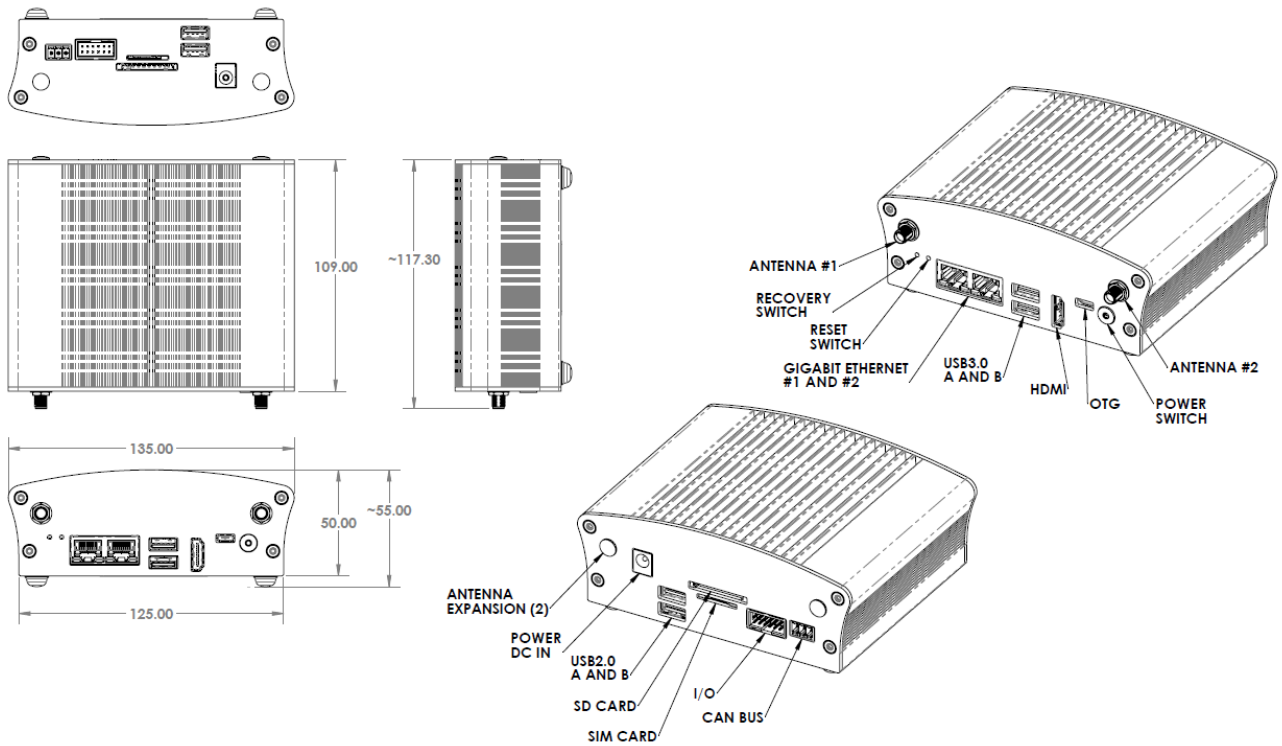
NVIDIA's Jetpack can be downloaded directly from NVIDIA here:

<https://developer.nvidia.com/embedded/jetpack>

## MECHANICAL DETAILS

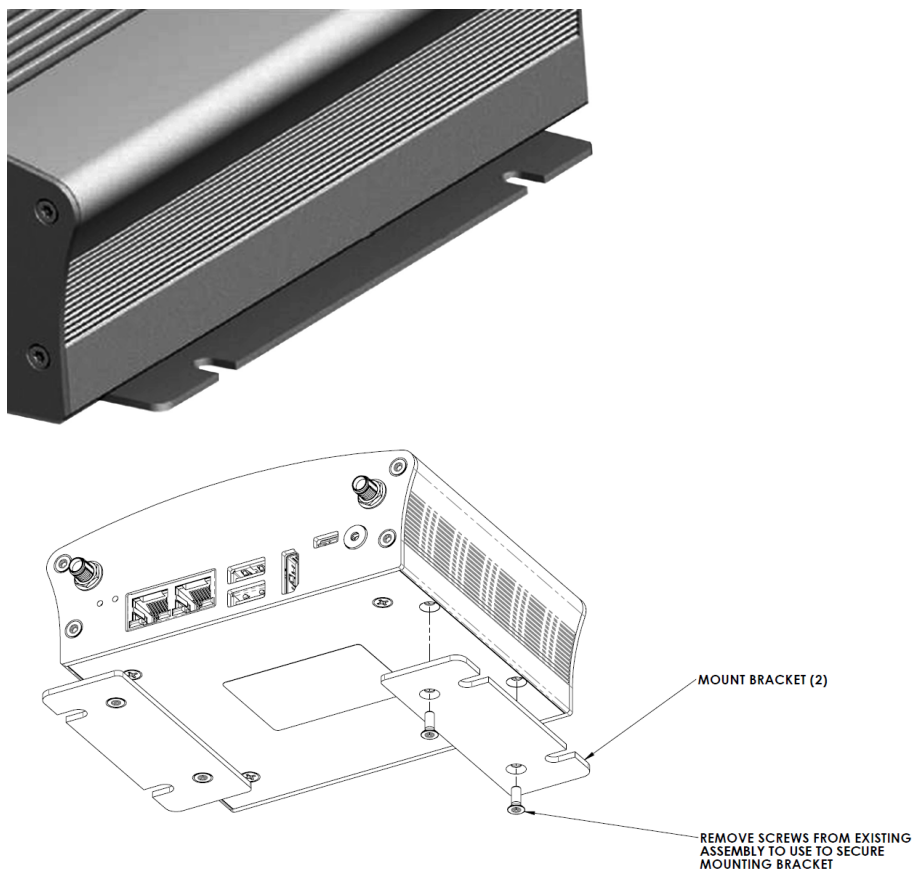
A complete **3D STEP Model** file of Rudi Embedded System can be downloaded here:  
[https://www.connecttech.com/ftp/3d\\_models/ESG503\\_3D\\_MODEL.zip](https://www.connecttech.com/ftp/3d_models/ESG503_3D_MODEL.zip)

### Rudi Embedded System

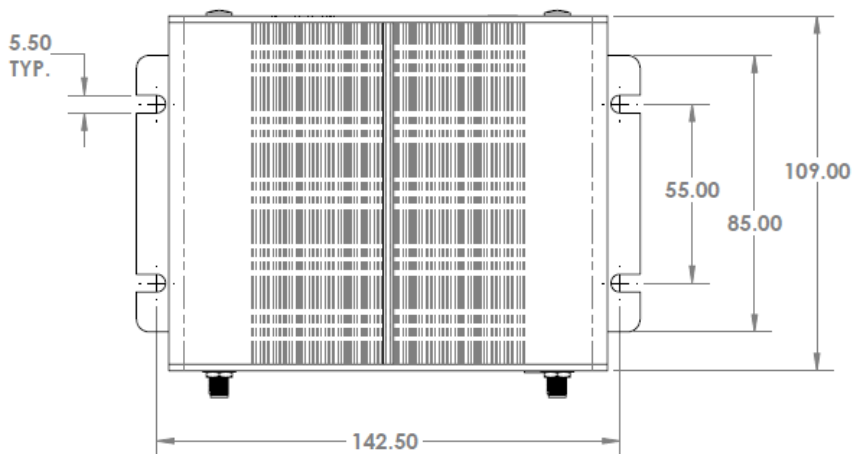


## Mechanical Mounting Package

The Rudi Embedded System has an optional mounting edge bracket to allow for wall or rack mount use.



Please contact sales for additional information: [sales@connecttech.com](mailto:sales@connecttech.com)



## Bottom Disassembly Instructions (ESD CAUTION!)

The Rudi Embedded System has two expansion slots. One is a mSATA slot for storage expansion, the other is a miniPCIe slot for feature expansion. These slots can be accessed by removing the bottom cover by precisely following the instructions shown below.

### INSTRUCTIONS FOR DISASSEMBLY

**THE FOLLOWING PAGES SHOW THE DISASSEMBLY OF THE BASE PANEL TO GAIN ACCESS INTO THE SYSTEM TO ALLOW FOR PLUG-INS INTO MINI PCIe SLOTS.**

**ALL OPERATIONS MUST BE COMPLETED IN A ESD CONTROLLED ENVIRONMENT. WRIST OR HEEL ESD STRAPS MUST BE WORN DURING ANY OPERATION OUTLINED.**

**ALL FASTENERS TO BE REMOVED AND RE-ASSEMBLED USING PROPER TORQUE DRIVERS**

