

# EOS-JNX-I / EOS-JNX-G

Edge AI Vision Inference System

User's Manual



**Manual Rev.:** 1.1

**Revision Date:** February 17, 2022

**Part No:** 50M-00054-1010

# Revision History

Revision	Release Date	Description of Change(s)
1.0	2021-12-08	Initial Release
1.1	2022-02-17	Correct Front and Rear Panel I/O descriptions; add safety warning

# Preface

## **Copyright © 2022 ADLINK Technology, Inc.**

This document contains proprietary information protected by copyright. All rights are reserved. No part of this manual may be reproduced by any mechanical, electronic, or other means in any form without prior written permission of the manufacturer.

## **Disclaimer**

The information in this document is subject to change without prior notice in order to improve reliability, design, and function and does not represent a commitment on the part of the manufacturer.

In no event will the manufacturer be liable for direct, indirect, special, incidental, or consequential damages arising out of the use or inability to use the product or documentation, even if advised of the possibility of such damages.

## **Environmental Responsibility**

ADLINK is committed to fulfill its social responsibility to global environmental preservation through compliance with the European Union's Restriction of Hazardous Substances (RoHS) directive and Waste Electrical and Electronic Equipment (WEEE) directive. Environmental protection is a top priority for ADLINK. We have enforced measures to ensure that our products, manufacturing processes, components, and raw materials have as little impact on the environment as possible. When products are at their end of life, our customers are encouraged to dispose of them in accordance with the product disposal and/or recovery programs prescribed by their nation or company.

## **Trademarks**

Product names mentioned herein are used for identification purposes only and may be trademarks and/or registered trademarks of their respective companies.

## Conventions

Take note of the following conventions used throughout this manual to make sure that users perform certain tasks and instructions properly.



NOTE:

Additional information, aids, and tips that help users perform tasks.

---



CAUTION:

Information to prevent **minor** physical injury, component damage, data loss, and/or program corruption when trying to complete a task.

*Informations destinées à prévenir les blessures corporelles mineures, les dommages aux composants, la perte de données et/ou la corruption de programme lors de l'exécution d'une tâche.*

---



WARNING:

Information to prevent **serious** physical injury, component damage, data loss, and/or program corruption when trying to complete a specific task.

*Informations destinées à prévenir les blessures corporelles graves, les dommages aux composants, la perte de données et/ou la corruption de programme lors de l'exécution d'une tâche spécifique.*

---

# Table of Contents

<b>Revision History</b> .....	<b>ii</b>
<b>Preface</b> .....	<b>iii</b>
<b>List of Tables</b> .....	<b>vii</b>
<b>List of Figures</b> .....	<b>ix</b>
<b>1 Introduction</b> .....	<b>1</b>
1.1 Features.....	1
1.2 Specifications.....	2
1.3 Mechanical Dimensions .....	4
1.4 External Layout.....	6
1.5 Pin Definitions.....	9
1.5.1 RJ45 LAN/PoE Connectors .....	9
1.5.2 PoE LED.....	12
1.5.3 USB Connectors.....	12
1.5.4 D-sub 15-pin DI/O Connector (Female).....	14
1.5.5 HDMI Connector.....	15
1.5.6 DC Power Connector.....	16
1.5.7 D-sub 9-pin RS-232/485 Connector (Male).....	17
1.5.8 Front Panel System Status LED.....	17
1.6 Wafer Connector (2.0mm Pin Pitch).....	18
1.7 USB Micro-A Connector .....	19
<b>2 Getting Started</b> .....	<b>21</b>
2.1 Unpacking Checklist .....	21
2.2 Cooling Considerations.....	21
2.3 Internal Storage Installation (Optional) .....	22
2.3.1 Removing the Chassis Cover .....	22
2.3.2 Installing an M.2 SSD Module/USB Dongle .....	25

2.3.3	Installing an M.2 2230 Module (Optional).....	27
2.3.4	Installing an Internal USB Device (Optional) .....	29
2.4	Front Panel I/O Connection .....	30
2.4.1	Connecting General Input/Output Ports.....	30
2.4.2	Connecting PoE Camera .....	31
2.4.3	Digital I/O Connection.....	32
2.4.4	Connecting DC Power .....	33
2.4.5	COM Port (RS-232/485) Connection .....	33
2.5	Wall Mount (Optional) .....	34
2.6	DIN Rail Mount.....	35
<b>3</b>	<b>Using the System.....</b>	<b>37</b>
3.1	Software Configuration .....	37
3.2	System Reset.....	37
3.3	System Recovery.....	38
	<b>Important Safety Instructions.....</b>	<b>39</b>
	<b>Getting Service .....</b>	<b>43</b>

## List of Tables

Table 1-1:	Specifications .....	2
Table 1-2:	Front Panel I/O Connectors & Controls .....	6
Table 1-3:	Rear Panel I/O Connectors .....	8
Table 1-4:	RJ45 LAN/PoE Connector Pin Definition.....	9
Table 1-5:	PoE LAN/Uplink Port Connector Definition.....	10
Table 1-6:	PoE/Uplink LAN LED Connection Status .....	10
Table 1-7:	GigE LAN LED Connection Status .....	11
Table 1-8:	EOS-JNX-G PoE LAN Port Connector Definition .....	11
Table 1-9:	PoE LAN LED Connection Status .....	11
Table 1-10:	GigE LAN LED Connection Status .....	12
Table 1-11:	PoE LED Status.....	12
Table 1-12:	USB 2.0 Type-A Connector Pin Definition .....	12
Table 1-13:	USB 3.0 Type-A Connector Pin Definition .....	13
Table 1-14:	D-sub 15-pin DI/O Connector Pin Definition .....	14
Table 1-15:	HDMI Connector Pin Definition.....	15
Table 1-16:	DC Power Connector Pin Definition .....	16
Table 1-17:	D-sub 9-pin RS-232/485 Connector Pin Definition ...	17
Table 1-18:	Front Panel System Status LED .....	17
Table 1-19:	Wafer Connector Pin Definition .....	18
Table 1-20:	USB Micro-A Connector Pin Definition .....	19

This page intentionally left blank.



# List of Figures

Figure 1-1:	EOS-JNX-I Front View.....	4
Figure 1-2:	EOS-JNX-I Side View.....	4
Figure 1-3:	EOS-JNX-G Front View.....	5
Figure 1-4:	EOS-JNX-G Side View.....	5
Figure 1-5:	Front Panel I/O Connectors.....	6
Figure 1-6:	Rear Panel I/O Connectors.....	8
Figure 2-1:	Installing an M.2 SSD Module/USB dongle.....	25
Figure 2-2:	Installing M.2 2230 Module Cable Clips.....	27
Figure 2-3:	M.2 2230 Module Cable Routing.....	28
Figure 2-4:	Installing Internal USB Device (Optional).....	29
Figure 2-5:	USB Device Sponges (Optional).....	29
Figure 2-6:	Digital Input Schematic Diagram.....	32
Figure 2-7:	Digital Output Schematic Diagram.....	32
Figure 2-8:	Wall Mounting.....	34
Figure 2-9:	DIN Rail Mount.....	35

This page intentionally left blank.

# 1 Introduction

ADLINK's EOS-JNX (-I/-G) Series leverages the power of an NVIDIA® Jetson Xavier™ module to deliver artificial intelligence (AI) at the edge, and provides PoE switch functionality for IP camera (-I) or GigE camera (-G) connections. The EOS-JNX Edge AI platforms with integrated NVIDIA Jetson Xavier NX accelerates deep learning workloads for object detection, recognition, and classification suitable for industrial embedded applications such as medical image processing, logistics automation, smart retail, security, and AI applications.

This fanless system provides a wide variety of industrial I/O and visual inferencing capabilities in a compact system. EOS-JNX supports general interfaces for users to easily connect their devices, including an RS-232/485 COM port, HDMI display port, USB 3.0/2.0 ports, multiple Ethernet LAN ports with PoE, a microSD slot and an M.2 PCI-E slot for additional storage options, and an M.2 PCIe slot for an extendable WiFi module. EOS-JNX series enables AI at the edge with exceptional performance and convenience while providing optimized PoE switch function to deploy IP camera or GigE camera.

## 1.1 Features

- ▶ AI inference acceleration with NVIDIA® Jetson Xavier™ NX
- ▶ Fanless system 187.5(W) x 149.5(D) x 55.25(H) mm
- ▶ Standard temperature range support from -20°C to 50°C (wide temperature range support up to 70°C, supported by Xavier NX reduced power settings)
- ▶ Expanded storage by microSD/M.2 PCIe SSD for larger application installation
- ▶ Supports 12V to 24V DC-in
- ▶ 4 PoE ports supporting 60W total power
- ▶ Smart PoE SW API supports power output control and power loss detection

## 1.2 Specifications

Model	EOS-JNX-I	EOS-JNX-G
<b>System Core</b>		
Platform	NVIDIA® Jetson Xavier™ NX	
Processor	6-core NVIDIA Carmel ARM® v8.2 64-bit CPU 6 MB L2 + 4 MB L3	
GPU	NVIDIA Volta architecture with 384 NVIDIA CUDA® cores and 48 Tensor cores	
Memory	8 GB 128-bit LPDDR4	
eMMC	16G	
<b>Front Panel I/O Interface</b>		
Ethernet	1x GigE w/o PoE	
PoE Port 1-4 (Total 60W)	4x PoE ports (30W max. per-channel, 802.3at) for IP camera (10M/100M)	4x PoE ports (30W max. per- channel, 802.3at) for GigE camera (1Gb)
Uplink Port	1Gb NVR connection	N/A
USB Port	1x USB 2.0, 1x USB 3.0	
Graphic Output	1x HDMI 1.4	
Serial Port	1x RS-232 / RS-485	
Digital I/O	D-sub 15-pin (expandable to 37-pin DIO board) 4-ch digital I/O with isolation	
<b>Rear Panel I/O Interface</b>		
microSD Slot	1x microSD slot (OS boot from microSD card, preinstalled 64G)	
Micro USB	1x Micro USB (to flash Jetson NX)	
Wafer Connector	for system flash with jumper	
<b>Internal I/O Interface</b>		
M.2 2280 slot	M key, and support for B+M key PCIe (Gen 2 x1) SSD	
M.2 2230 slot	E key, and support for A+E key PCIe or USB devices	
Internal USB	1x USB2.0 (for license protection)	

**Table 1-1: Specifications**

Model	EOS-JNX-I	EOS-JNX-G
<b>Power</b>		
DC Input	DC 12 to 24V	
Fail Reset	Reset and Recovery buttons	
PoE Switch	PoE initial mode setup	
<b>Mechanical</b>		
Dimensions	187.5(W) x 149.5(D) x 55.25(H) mm	
Weight	1.85 kg	
Mounting	supports wall mount & DIN rail mount	
<b>Environmental</b>		
Operating Temperature	Standard: -20°C to 50°C (w/ 0.6m/s airflow) PoE full load and Xavier NX @ max. 20W: max. 50°C PoE full load and Xavier NX @ max. 15W: max. 60°C PoE full load and Xavier NX @ max. 10W: max. 70°C	
Storage Temperature	-40°C to 85°C	
Humidity	40% to 95% (non-condensing)	
Vibration	Operating: 5-500 Hz, 5 Grms, 3 axes	
Shock	Operating: 11ms duration, 30G, half sine, 3 axes	
ESD	Contact +/- 4kV, Air +/- 8kV	
EMC	CE and FCC Class A (EN61000-6-4/6-2)	
Safety	UL(62368) and CB	

**Table 1-1: Specifications**

Models in this manual are investigated to IEC TR 62102 as ES1 and SELV circuits and only connected to PoE without routing to the outside plant, including campus environments..

*Avertissement: Les modèles de ce manuel sont étudiés selon IEC TR 62102 en tant que circuits ES1 et SELV et uniquement connectés à PoE sans routage vers l'installation extérieure, y compris les environnements de campus.*

### 1.3 Mechanical Dimensions

All dimensions shown in millimeters (mm).

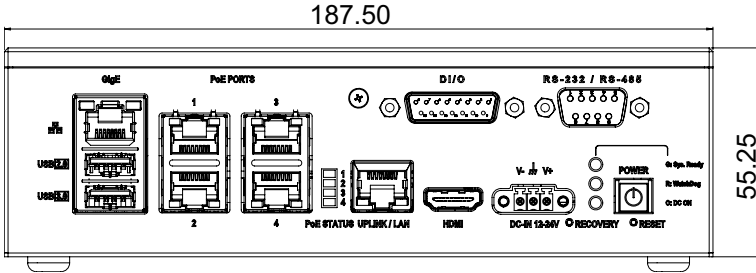


Figure 1-1: EOS-JNX-I Front View

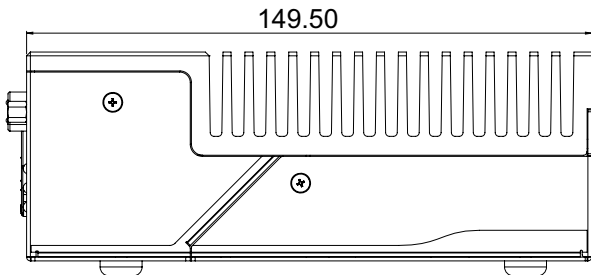


Figure 1-2: EOS-JNX-I Side View

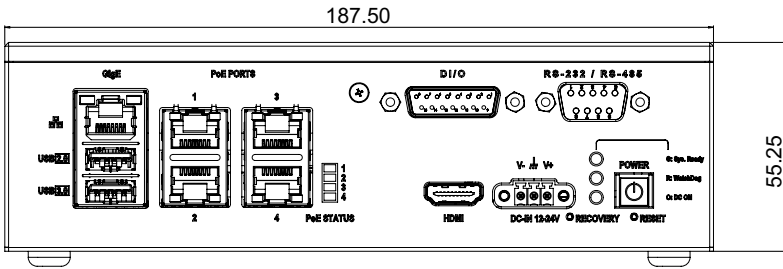


Figure 1-3: EOS-JNX-G Front View

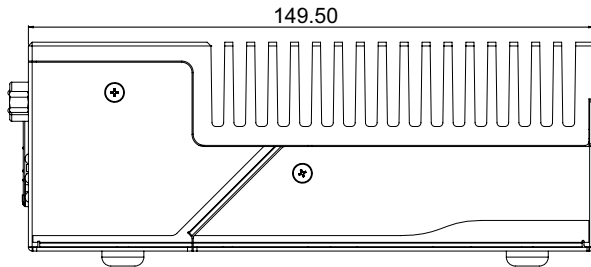


Figure 1-4: EOS-JNX-G Side View

## 1.4 External Layout

### EOS-JNX Series Front Panel

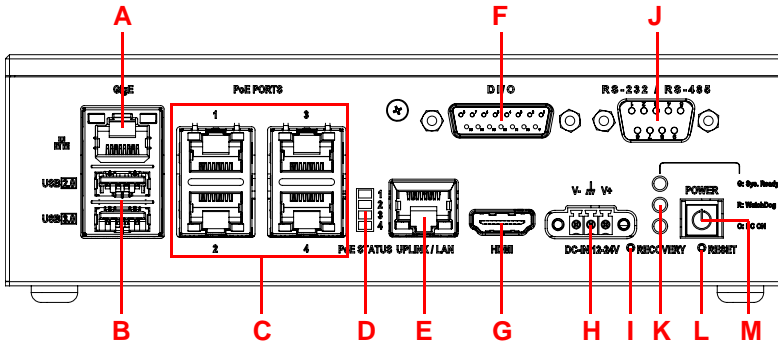


Figure 1-5: Front Panel I/O Connectors

Item	Name	Description
A	Ethernet Port	GigE LAN from NVIDIA® Jetson™ Xavier NX.
B	USB Port	1x USB 2.0 and 1x USB 3.0 general use for input/output devices like keyboard, mouse, or dongle receiver.
C	PoE Ports	4x PoE (Power over Ethernet) ports for PoE IP or GigE cameras. Each channel provides 30W max. (802.3at), with 4 ports totaling 60W max. The power budget allocation priority is from Port 4 to 1 if the PoE total power budget is over 60W.
D	PoE Status LED	PoE port enabled status.
E	Uplink Port (EOS-JNX-I only)	NVR (Network Video Recorder) connection for PoE IP cameras (EOS-JNX-I only). Maximum bandwidth: 1Gbps. <b>Note:</b> The Uplink Port (E) cannot be used as an Ethernet connection. Make sure to connect a LAN cable to the Ethernet Port (A).
F	DI/O Port	4-channel digital I/O port via D-sub connector, expandable to 37-pin DIO board with cable.
G	HDMI Port	HDMI 1.4 display output.
H	DC in Connector	12V to 24V DC-in. Connect power cord to terminal block first, then to power source.

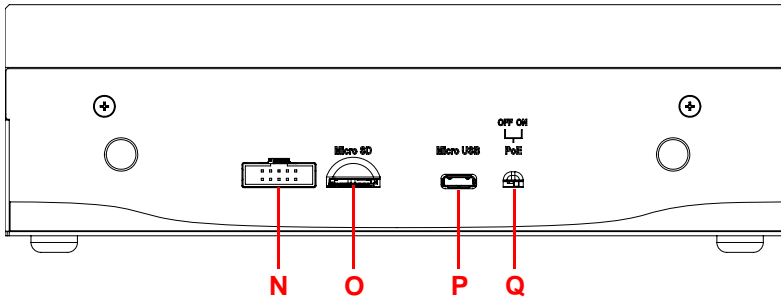
Table 1-2: Front Panel I/O Connectors & Controls



Item	Name	Description
I	Recovery Button	Press recovery button and reset button at the same time to trigger recovery mode. <b>See 3.3 System Recovery on page 38.</b>
J	RS-232/485 Port	Supports RS-232/485 connectivity and control.
K	System Status LEDs	Shows system operation status <b>Green</b> <ul style="list-style-type: none"> <li>• On: OS ready</li> <li>• Blinking: The system is booting or cannot boot successfully</li> </ul> <b>Red</b> <ul style="list-style-type: none"> <li>• On: Watchdog triggered and then OS boots successfully</li> <li>• Blinking: Watchdog has consecutively triggered more than two times and then OS boots successfully</li> </ul> <b>Orange</b> <ul style="list-style-type: none"> <li>• DC-in ready</li> </ul>
L	Reset Button	Press to reboot the system.
M	Power Button	Press to boot up, or shut down the system.

**Table 1-2: Front Panel I/O Connectors & Controls**

## EOS-JNX Series Rear Panel



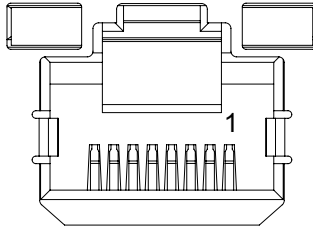
**Figure 1-6: Rear Panel I/O Connectors**

Item	Name	Description
N	Wafer Connector	For system image flashing or debugging via jumpers
O	microSD Slot	OS boot storage. (Preinstalled 64G microSD card)
P	Micro USB Port	Connect to client for system image flashing.
Q	PoE Switch	PoE initial mode setup switch <b>On</b> (default) <ul style="list-style-type: none"> <li>EOS-JNX-G enables PoE after user presses the Power button</li> <li>EOS-JNX-I enables PoE when DC power is on</li> </ul> <b>Off</b> <ul style="list-style-type: none"> <li>Initial PoE status of both models is disabled and PoE On/Off status is controlled by the AVS SDK.</li> </ul>

**Table 1-3: Rear Panel I/O Connectors**

## 1.5 Pin Definitions

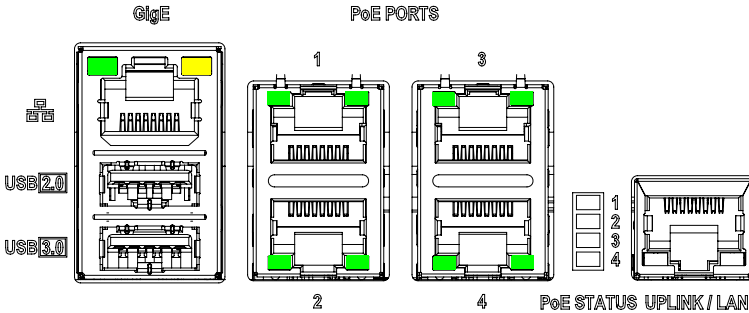
### 1.5.1 RJ45 LAN/PoE Connectors



Pin No.	Function	Description
1	BI_DA+	Bi-directional pair A+
2	BI_DA-	Bi-directional pair A-
3	BI_DB+	Bi-directional pair B+
4	BI_DB-	Bi-directional pair C+
5	BI_DC+	Bi-directional pair C-
6	BI_DC-	Bi-directional pair B-
7	BI_DD+	Bi-directional pair D+
8	BI_DD-	Bi-directional pair D-

**Table 1-4: RJ45 LAN/PoE Connector Pin Definition**

## EOS-JNX-I LAN/PoE/Uplink Connectors



Port	Description
PoE LAN 1-4	Bandwidth: 10/100Mbps, for PoE IP CAM connection
Uplink (EOS-JNX-I only)	Bandwidth: 1Gbps, for external NVR connection

**Table 1-5: PoE LAN/Uplink Port Connector Definition**

PoE/Uplink LAN LED connection status:

Left LED (Green)	Right LED (Green)	Status
OFF	OFF	LINK OFF
OFF	ON	1Gbps Link
OFF	Blinking	1Gbps Activity
ON	OFF	100Mbps Link
Blinking	OFF	100Mbps Activity
ON	ON	10Mbps Link
Blinking	Blinking	10Mbps Activity

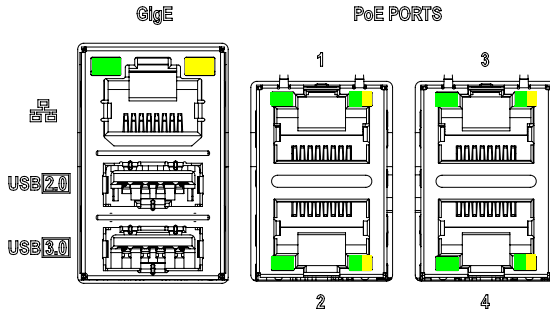
**Table 1-6: PoE/Uplink LAN LED Connection Status**

GigE LAN LED connection status:

Left LED (Green)	Right LED (Yellow)
LINK	ACT

Table 1-7: GigE LAN LED Connection Status

### EOS-JNX-G LAN/PoE Connectors



Port	Description
PoE LAN 1-4	Bandwidth: 10/100/1000 Mbps, for PoE GigE CAM connection.

Table 1-8: EOS-JNX-G PoE LAN Port Connector Definition

PoE LAN LED connection status:

Left LED (Green)	Status	Right LED (Green/Yellow)	Status
OFF	LINK OFF	OFF	10M bps
ON	LINK	Green	100M bps
Blinking	ACT	Yellow	1G bps

Table 1-9: PoE LAN LED Connection Status

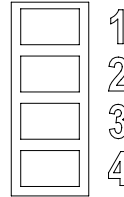
GigE LAN LED connection status:

Left LED (Green)	Right LED (Yellow)
LINK	ACT

**Table 1-10: GigE LAN LED Connection Status**

## 1.5.2 PoE LED

LED	Status (Yellow)
1	ON: LAN 1 PoE On OFF: LAN 1 PoE Off
2	ON: LAN 2 PoE On OFF: LAN 2 PoE Off
3	ON: LAN 3 PoE On OFF: LAN 3 PoE Off
4	ON: LAN 4 PoE On OFF: LAN 4 PoE Off

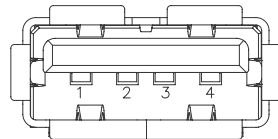


**Table 1-11: PoE LED Status**

## 1.5.3 USB Connectors

### USB 2.0 Type-A Connector

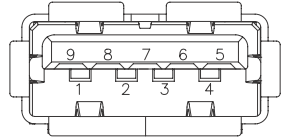
Pin No.	Signal
1	VBUS
2	D-
3	D+
4	GND



**Table 1-12: USB 2.0 Type-A Connector Pin Definition**

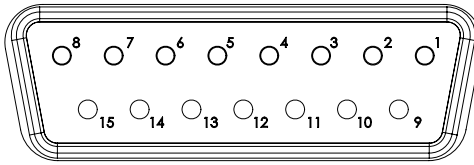
## USB 3.0 Type-A Connector

Pin No.	Signal
1	VBUS
2	D-
3	D+
4	GND
5	StdA_SSRX-
6	StdA_SSRX+
7	GND_DRAIN
8	StdA_SSTX-
9	StdA_SSTX+



**Table 1-13: USB 3.0 Type-A Connector Pin Definition**

### 1.5.4 D-sub 15-pin DI/O Connector (Female)



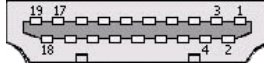
Pin No.	Function
1	NC
2	IGND
3	General Purpose DO0
4	General Purpose DO1
5	General Purpose DO2
6	General Purpose DO3
7	NC
8	WatchDog Alarm DO
9	NC
10	IGND
11	General Purpose DI0
12	General Purpose DI1
13	General Purpose DI2
14	General Purpose DI3
15	NC

**Table 1-14: D-sub 15-pin DI/O Connector Pin Definition**



## 1.5.5 HDMI Connector

The HDMI connector supports HDMI 1.4.

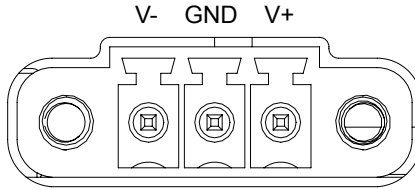


Pin #	Signal	Pin #	Signal
1	TMDS Data2+	2	TMDS Data2 Shield
3	TMDS Data2-	4	TMDS Data1+
5	TMDS Data1 Shield	6	TMDS Data1-
7	TMDS Data0+	8	TMDS Data0 Shield
9	TMDS Data0-	10	TMDS Clock+
11	TMDS Clock Shield	12	TMDS Clock-
13	CEC	14	Reserved
15	SCL	16	SDA
17	DDC/CEC Ground	18	+5 V Power
19	Hot Plug Detect		

**Table 1-15: HDMI Connector Pin Definition**

### 1.5.6 DC Power Connector

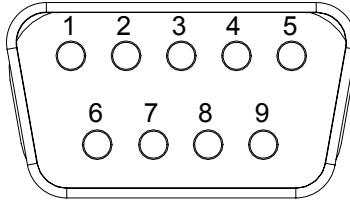
The system requires a 12-24V DC power source with a screw-type connector.



Pin No.	Function
1	V+ Power
2	Chassis GND
3	V- Ground

**Table 1-16: DC Power Connector Pin Definition**

### 1.5.7 D-sub 9-pin RS-232/485 Connector (Male)



Pin No.	Function	
	RS-232	RS-485
1	NC	Data-
2	RX	Data+
3	TX	NC
4	NC	NC
5	GND	
6	NC	
7	RTS	NC
8	CTS	NC
9	NC	

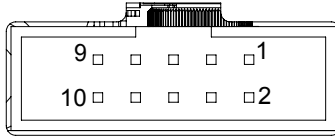
**Table 1-17: D-sub 9-pin RS-232/485 Connector Pin Definition**

### 1.5.8 Front Panel System Status LED

LED	Status
Green	System Ready
Red	WatchDog Alarm
Yellow	Standby power ready

**Table 1-18: Front Panel System Status LED**

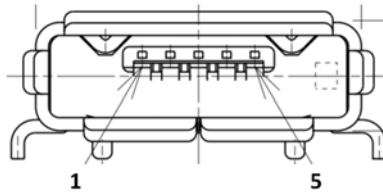
## 1.6 Wafer Connector (2.0mm Pin Pitch)



Pin No.	Function	Description
1	Debug UART2_RX	RX channel of debug UART port
2	Debug UART2_TX	TX channel of debug UART port
3	RESET_IN#	System reset
4	GND	Digital Ground
5	FORCE_RECOV#	Force Recovery Strap Pin (System Recovery Mode)
6	GND	Digital Ground
7	NC	
8	GND	Digital Ground
9	NC	
10	GND	Digital Ground

**Table 1-19: Wafer Connector Pin Definition**

## 1.7 USB Micro-A Connector



Pin No.	Function	Description
1	Power Input	DC 5V
2	USB 2.0 Data -	USB 2.0 bi-directional pair -
3	USB 2.0 Data +	USB 2.0 bi-directional pair +
4	NC	No Connection
5	GND	Digital Ground
6	NC	No Connection
7	GND	Digital Ground
8	NC	No Connection
9	GND	Digital Ground

**Table 1-20: USB Micro-A Connector Pin Definition**

This page intentionally left blank.

## 2 Getting Started

### 2.1 Unpacking Checklist

Before unpacking, check the shipping carton for any damage. If the shipping carton and/or contents are damaged, inform your dealer immediately. Retain the shipping carton and packing materials for inspection. Obtain authorization from your dealer before returning any product to ADLINK. Ensure that the following items are included in the package.

- ▶ EOS-JNX system
- ▶ 2x terminal blocks (1x DC-in connector, 1x backup)
- ▶ 2x jumpers (for flashing Xavier NX)
- ▶ Screw pack (includes M2.5 backup screws, TIM pads, cable clips, and sponge as optional parts for internal device installation. These items are not necessary if the system will not be used in a shock/vibration environment.)
- ▶ Quick Start Guide

### 2.2 Cooling Considerations

EOS-JNX has a fanless design featuring an aluminum heatsink with additional TIM (thermal interface material) to conduct heat generated from the Jetson NX module and PoE power components. To maximize efficiency of heat dissipation, keep a minimum of 2 inches (5 cm) clearance from the top of the EOS-JNX system.

## 2.3 Internal Storage Installation (Optional)

### 2.3.1 Removing the Chassis Cover

Follow the instructions below to remove the chassis top cover.

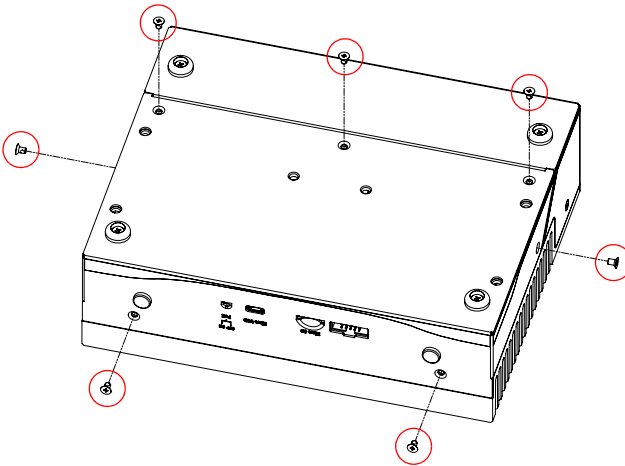


All installation procedures are restricted to skilled personnel.

*Mise en garde: Toutes les procédures d'installation sont réservées au personnel qualifié.*

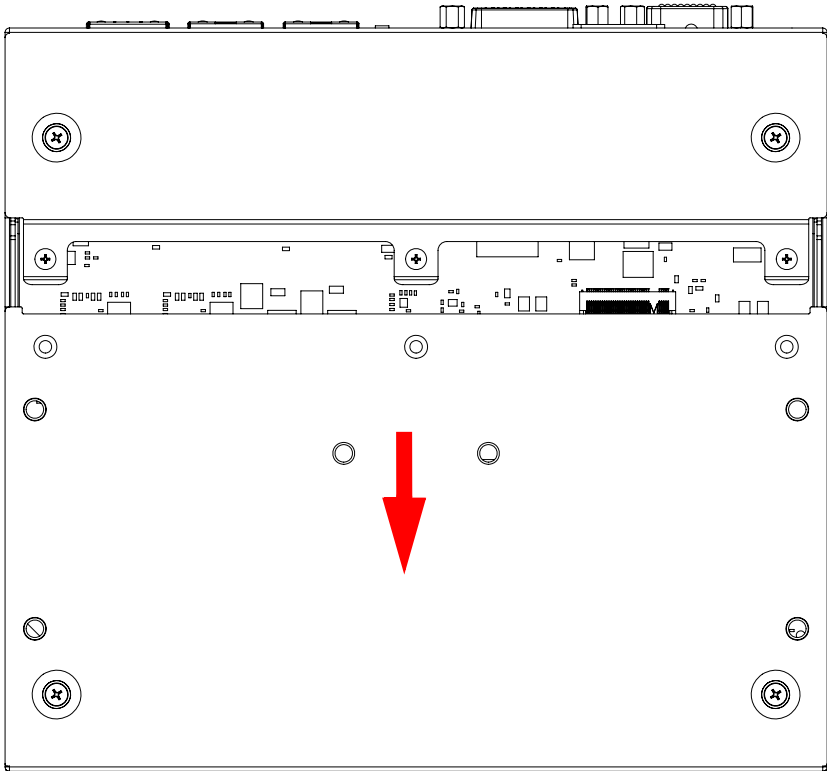
To access the EOS-JNX internal components, remove the underside of the chassis as follows.

1. Place the unit bottom-side-up on a flat surface and remove 7 screws (3 bottom, 2 front, 1 each side) as indicated to remove the panels and reveal the internal components.

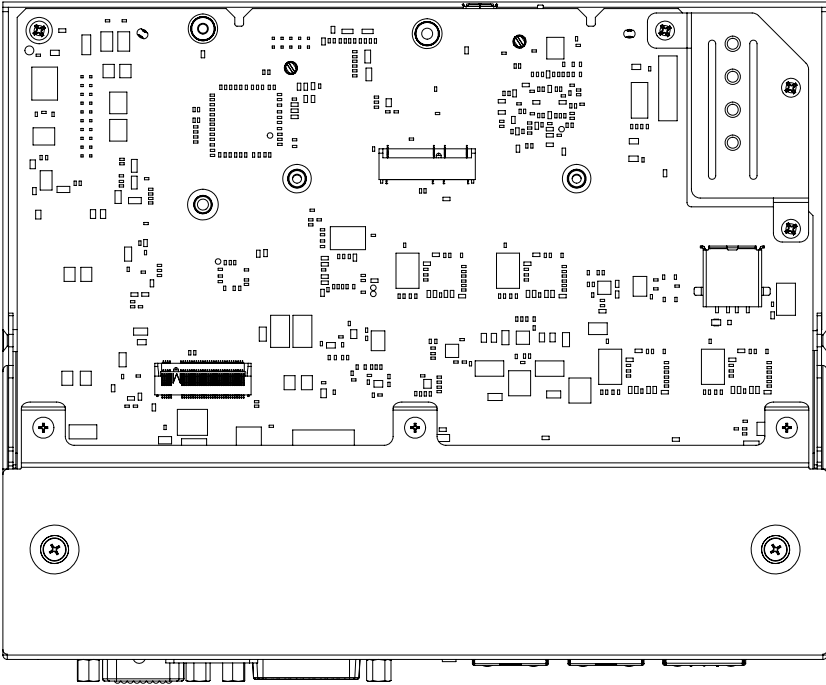




2. Slide the cover in the direction indicated.



3. Lift the cover off of the chassis.

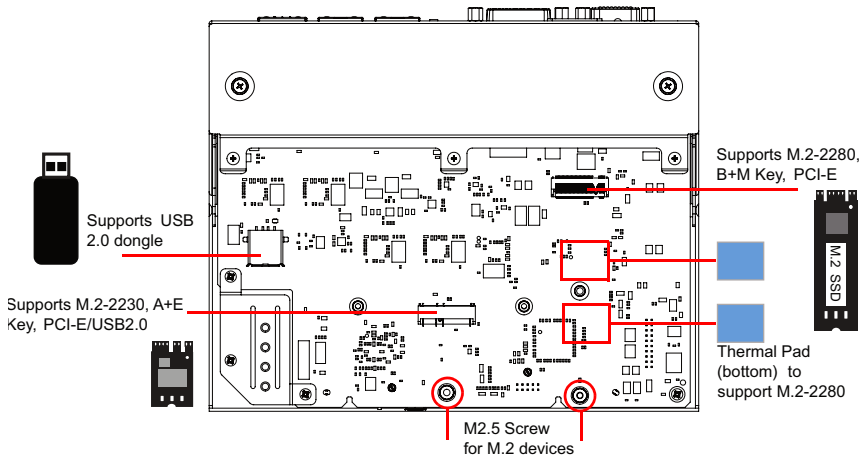


Reverse the steps to replace the bottom cover.

### 2.3.2 Installing an M.2 SSD Module/USB Dongle

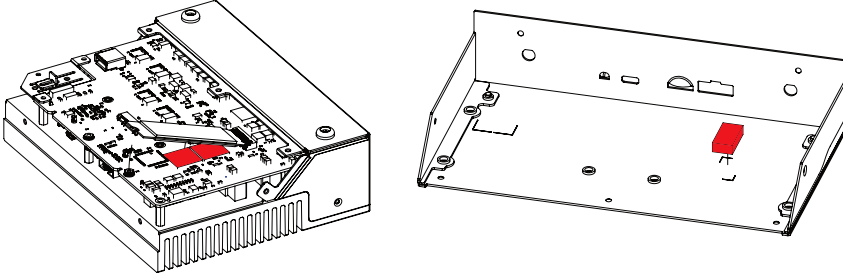
Use the following steps to install an M.2 SSD module or USB dongle.

1. Install a suitable storage device, as shown.



**Figure 2-1: Installing an M.2 SSD Module/USB dongle**

2. Skip this step if the EOS-JNX will not be used in a shock/vibration environment. For M.2-2280 slot installation, apply 2 thermal interface material (TIM) pads on the PCBA before installing the M.2 2280 module. Apply 1 long TIM pad on the underside of the rear cover along the aligned marks, as shown.



3. Insert screw and tighten to lock down M.2 module.  
(TIM pads and screws included in screw pack.)

### 2.3.3 Installing an M.2 2230 Module (Optional)

Use the following steps to install an M.2 2230 module or USB dongle.

1. Insert 4 cable clips (included in screw pack) as shown (2 each from the top and underside of the mainboard).

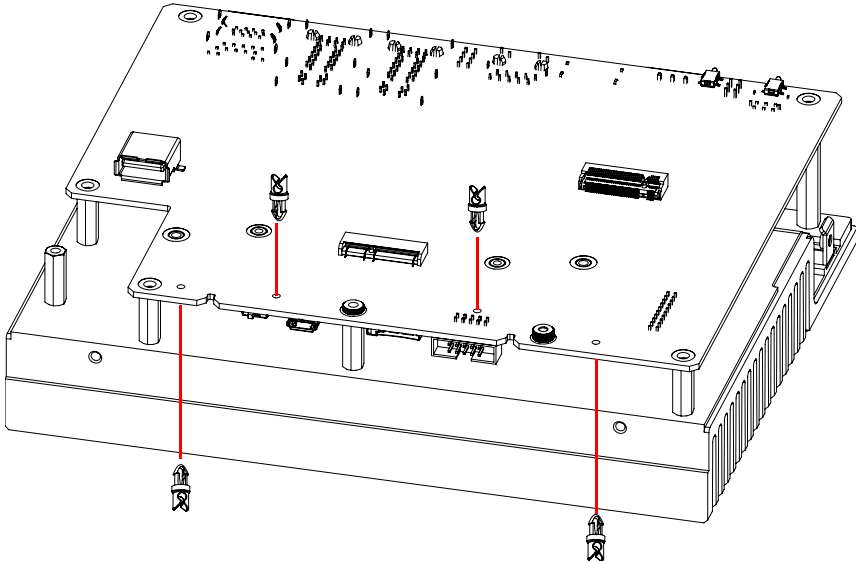
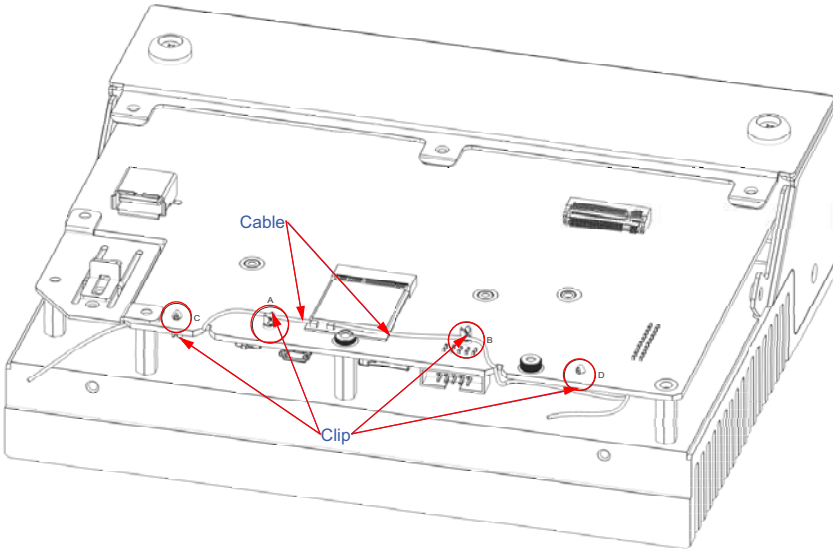


Figure 2-2: Installing M.2 2230 Module Cable Clips

2. Install an M.2 2230 module device.
3. Route cabling as shown.



**Figure 2-3: M.2 2230 Module Cable Routing**

### 2.3.4 Installing an Internal USB Device (Optional)

The EOS-JNX has a reserved USB 2.0 slot for an additional internal USB dongle device that can be used for license protection. Use the sponge piece provided in the screw pack and install as shown.

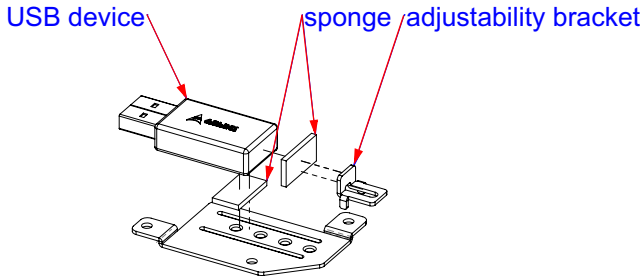


Figure 2-4: Installing Internal USB Device (Optional)

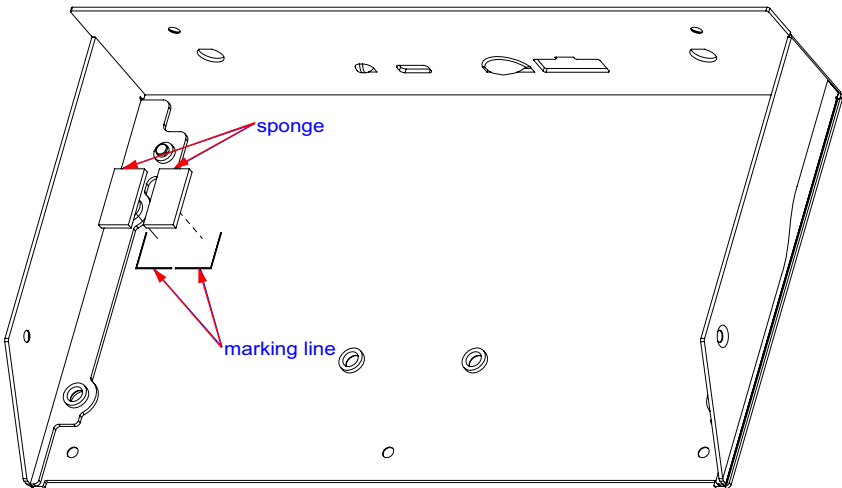
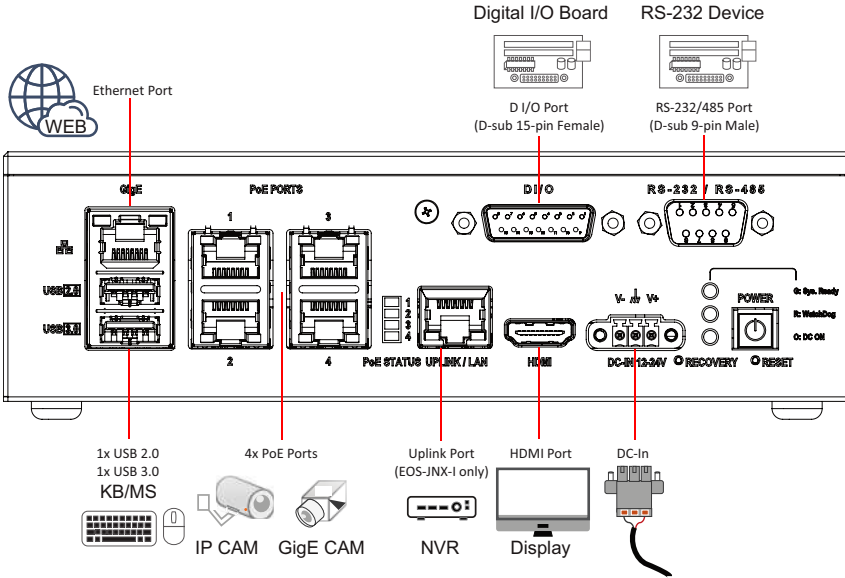


Figure 2-5: USB Device Sponges (Optional)

## 2.4 Front Panel I/O Connection

Before inserting any front panel I/O connectors, make sure to complete installation of any internal components. **See 2.3 “Internal Storage Installation (Optional)” on page 22.**



### 2.4.1 Connecting General Input/Output Ports

- ▶ Ethernet LAN port for network connection
- ▶ USB input devices like keyboard/mouse. or other USB devices
- ▶ HDMI port for display device



## 2.4.2 Connecting PoE Camera

EOS-JNX series PoE ports support PoE interface cameras. Select the right EOS-JNX model for the camera being used.

- ▶ EOS-JNX-I PoE port bandwidth supports IP cameras (10M/100M), and the uplink port supports NVR (Network Video Recorder) connection.

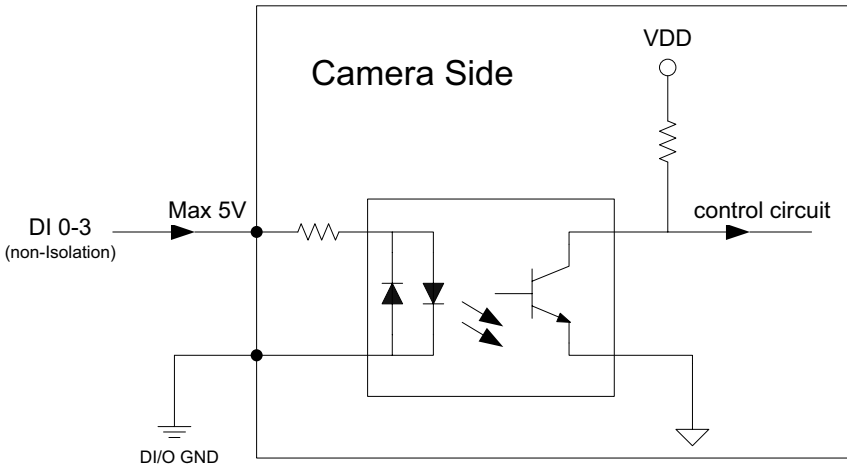
To ensure the initial NVR setup connects with the IP camera, make sure the system is powered on and the OS is operating normally.

If DC power is cut to the system, reconnect the power, power on the system and wait until the OS is operating normally. Then wait for the initial NVR setup to connect with the IP camera.

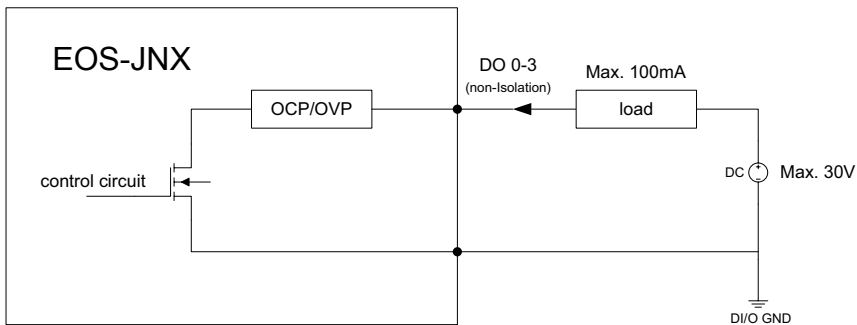
- ▶ EOS-JNX-G PoE LAN bandwidth supports GigE cameras and is able to setup independent IP addresses for each LAN port.

### 2.4.3 Digital I/O Connection

External devices such as trigger sensors, LED light controllers or relays can be connected to the EOS-JNX to implement different applications. The figures below show of how to connect these kinds of devices. ADLINK also provides a DI/O cable (P/N: 30-01332-0010-A0) and a DIN37 termination board (P/N: 91-14025-1020) for DI/O applications. For more information, refer to the NEON-JNX User's Manual.



**Figure 2-6: Digital Input Schematic Diagram**



**Figure 2-7: Digital Output Schematic Diagram**

## 2.4.4 Connecting DC Power

---



Before providing DC power to the EOS-JNX, ensure the voltage and polarity provided are compatible with the DC input. Improper input voltage and/or polarity can be responsible for system damage.

*Avant de connecter le PC EOS-JNX à une source de courant continu, veuillez vous assurer de la polarité de la tension conformément à l'entrée CC du PC. Une tension et/ou une polarité incorrectes peuvent causer des dommages irréversibles sur le système.*

---

DC power sources must comply with SELV circuits with no energy hazard, as well as the following:

- ▶ IEC 62368-1 + IEC 60950-1 + UL 62368-1
- ▶ Input voltage: 12-24V DC
- ▶ Input current: min. 8A @12V DC; min. 4A@24V DC
- ▶ TMA: 50°C minimum

The EOS-JNX DC power input connector uses V+, V-, and chassis ground pins.

Customers may optionally order a DC power adapter (P/N:31-62120-0010) and terminal block (P/N: 20-C2M2C-0030) from ADLINK.

## 2.4.5 COM Port (RS-232/485) Connection

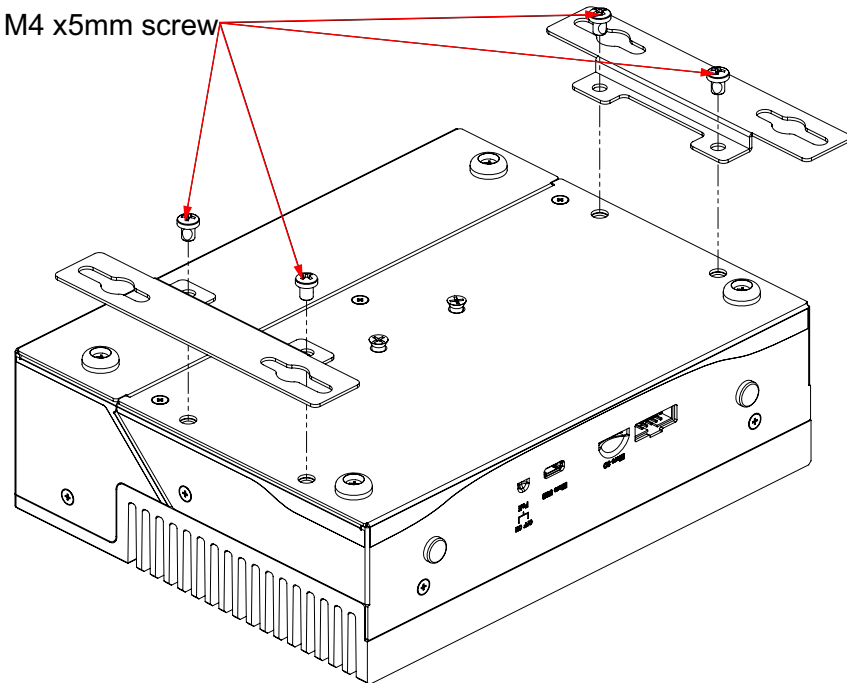
The EOS-JNX COM port default setting is RS-232. The serial port (/dev/ttyTHS0) UART mode can be configured by the **EOSJNX-ConfigManager** tool.

```
adlink@localhost:~$ EOSJNXConfigManager uartmode rs232
```

## 2.5 Wall Mount (Optional)

An optional wall mount kit is available for the EOS-JNX. Refer to the product datasheet or website for ordering information. Follow the steps below to mount the device to a wall.

1. Attach the brackets to a wall (or other suitable mounting surface) so that their keyhole-shaped mounting holes are oriented with the wider openings at the top.
2. Secure the four M4 screws to the bottom of the chassis.
3. Securely attach the device to the wall-mount brackets by first inserting the heads of the screws into the wider openings of the bracket's mounting holes, then sliding the device down so that the screws are firmly held by the narrower portions of the mounting holes.



**Figure 2-8: Wall Mounting**

## 2.6 DIN Rail Mount

An optional DIN rail mount kit is available for the EOS-JNX. with its own M4 screws. Use two M4 screws to attach the DIN rail bracket to the EOS-JNX as shown.

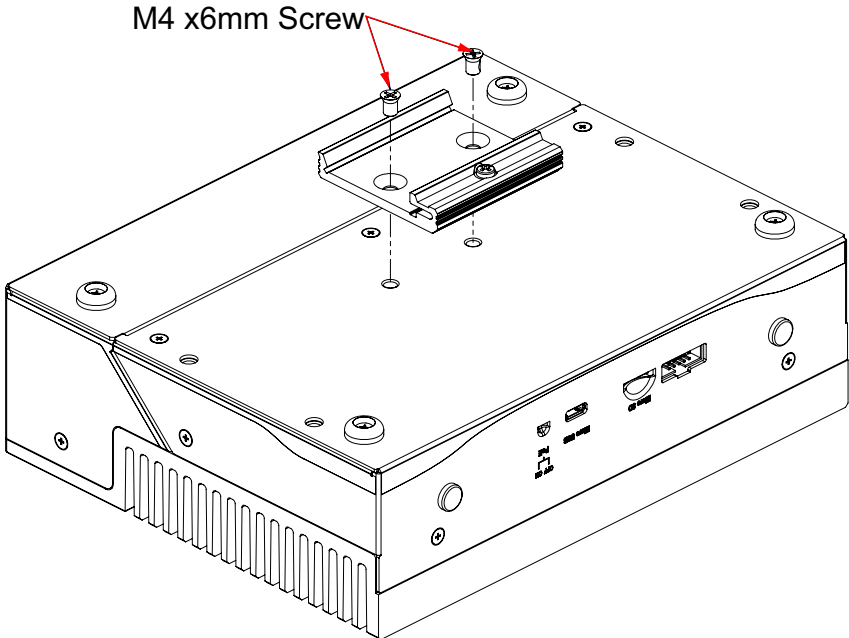


Figure 2-9: DIN Rail Mount

This page intentionally left blank.

## 3 Using the System

### 3.1 Software Configuration

The EOS-JNX ships with a customized software image pre-installed. The software configuration includes:

- ▶ NVIDIA Jetpack
- ▶ Basler Pylon
- ▶ AVS SDK
- ▶ Edge Vision Analytics (EVA) SDK
- ▶ ONNXRuntime
- ▶ RS-232/485 ConfigManager
- ▶ Watchdog ConfigManager
- ▶ Retrieve RTSP URL from ONVIF service
- ▶ ONVIF Discovery service
- ▶ VLAN Configuration tool



NOTE:

Software application versions may not be up-to-date and depend on when the installed image was created.

---

For more details and software feature instructions, see the Function Library Reference online at:

[https://www.adlinktech.com/Products/Machine\\_Vision/VisionSystems/EOS-JNX\\_Series](https://www.adlinktech.com/Products/Machine_Vision/VisionSystems/EOS-JNX_Series)

### 3.2 System Reset

The front panel RESET button can be used to reset the system in the event of any unexpected system error. Use the end of a paper-clip to press and hold the reset button until the system reboots.

### 3.3 System Recovery

You will need a Linux host PC (Ubuntu is recommended) in order to flash your client device with a new system image. Complete the following steps on the client before performing the host PC steps.

1. Press the power button to turn on the system.
2. Press and hold the RECOVERY button, press and release the RESET button, then release the RECOVERY button.

For information on how to update the operating system, check online at: <https://aiot-ist.github.io/eos-jnx/>




## Important Safety Instructions

For user safety, please read and follow all instructions, Warnings, Cautions, and Notes marked in this manual and on the associated device before handling/operating the device, to avoid injury or damage.

- ▶ Read these safety instructions carefully.
- ▶ Keep the User's Manual for future reference.
- ▶ Read the Specifications section of this manual for detailed information on the recommended operating environment.
- ▶ The device can be operated at an ambient temperature of 70°C with 0.6ms air flow.
- ▶ It is recommended that the device be installed in Information Technology Rooms that are in accordance with Article 645 of the National Electrical Code and NFPA 75.
- ▶ When installing/mounting or uninstalling/removing the device:
  - ▷ Turn off power and unplug any power cords/cables.
  - ▷ Reinstall all chassis covers before restoring power.
- ▶ To avoid electrical shock and/or damage to device:
  - ▷ Keep device away from water or liquid sources.
  - ▷ Keep device away from high heat or humidity.
  - ▷ Keep device properly ventilated (do not block or cover ventilation openings).
  - ▷ Always use recommended voltage and power source settings.
  - ▷ Always install and operate device near an easily accessible electrical outlet.
  - ▷ Secure the power cord (do not place any object on/over the power cord).
  - ▷ Only install/attach and operate device on stable surfaces and/or recommended mountings.
  - ▷ The Smart Touch Computer is powered by adapter or DC source. Ensure that the adapter or DC source is properly grounded.
- ▶ If the device will not be used for long periods of time, turn off and unplug it from its power source

- ▶ Never attempt to repair the device, which should only be serviced by qualified technical personnel using suitable tools
- ▶ The device must be serviced by authorized technicians when:
  - ▷ The power cord or plug is damaged.
  - ▷ Liquid has entered the device interior.
  - ▷ The device has been exposed to high humidity and/or moisture.
  - ▷ The device is not functioning or does not function according to the User's Manual.
  - ▷ The device has been dropped and/or damaged and/or shows obvious signs of breakage.
- ▶ Disconnect the power supply cord before loosening the thumbscrews and always fasten the thumbscrews with a screwdriver before starting the system up.
- ▶ It is recommended that the device be installed only in a server room or computer room where access is:
  - ▷ Restricted to qualified service personnel or users familiar with restrictions applied to the location, reasons therefor, and any precautions required.
  - ▷ Only afforded by the use of a tool or lock and key, or other means of security, and controlled by the authority responsible for the location.

	<p style="text-align: center;"><b>BURN HAZARD</b></p> <p>Touching this surface could result in bodily injury. To reduce risk, allow the surface to cool before touching.</p>
--	--

## ***Consignes de Sécurité Importantes***

*Pour la sécurité de l'utilisateur, veuillez lire et suivre toutes les instructions, avertissements, mises en garde et notes indiquées dans ce manuel et sur les l'appareil avant de manipuler/d'utiliser l'appareil, afin d'éviter toute blessure ou dommage.*

- ▶ *Lisez attentivement ces consignes de sécurité*
- ▶ *Conservez le manuel de l'utilisateur pour pouvoir le consulter ultérieurement*
- ▶ *Lisez la section Spécifications de ce manuel pour des informations détaillées sur l'environnement d'exploitation recommandé*
- ▶ *L'appareil peut fonctionner à une température ambiante de 70°C avec un débit d'air de 0,6 ms.*
- ▶ *Il est recommandé d'installer l'appareil dans Information Salles technologiques conformes à l'article 645 du Code national de l'électricité et NFPA 75.*
- ▶ *Lorsque l'installation/le montage ou la désinstallation/le retrait du périphérique est requis:*
  - ▷ *Mettez l'appareil hors tension et débranchez tous les cordons/câbles d'alimentation*
  - ▷ *Réinstallez tous les couvercles de châssis avant de rétablir l'alimentation*
- ▶ *Pour éviter les chocs électriques et/ou d'endommager l'appareil:*
  - ▷ *Tenez l'appareil à l'écart de toute source d'eau ou de liquide*
  - ▷ *Tenez l'appareil à l'écart d'une forte chaleur ou d'une humidité élevée*
  - ▷ *Maintenez l'appareil correctement ventilé (n'obstruer ou ne couvrez pas les ouvertures de ventilation)*
  - ▷ *Utilisez toujours les réglages de tension et de source d'alimentation recommandés*
  - ▷ *Installez et utilisez toujours l'appareil près d'une prise de courant facilement accessible*
  - ▷ *Fixez le cordon d'alimentation (ne placez aucun objet sur le cordon d'alimentation)*
  - ▷ *Installez/fixez et utilisez l'appareil uniquement sur des surfaces stables et/ou sur les fixations recommandées*
  - ▷ *L'ordinateur Smart Touch est alimenté par un adaptateur ou une source CC. Veuillez vous assurer que l'adaptateur ou la source CC doit conserver la connexion à la terre s'il est doté d'une protection.*

- ▶ *Si l'appareil ne doit pas être utilisé pendant de longues périodes, éteignez-le et débranchez-le de sa source d'alimentation*
- ▶ *N'essayez jamais de réparer l'appareil, qui ne doit être réparé que par un personnel technique qualifié à l'aide d'outils appropriés*
- ▶ *L'appareil doit être entretenu par des techniciens agréés lorsque:*
  - ▷ *Le cordon d'alimentation ou la prise est endommagé(e)*
  - ▷ *Un liquide a pénétré à l'intérieur de l'appareil*
  - ▷ *L'appareil a été exposé à une forte humidité et/ou de la buée*
  - ▷ *L'appareil ne fonctionne pas ou ne fonctionne pas selon le manuel de l'utilisateur*
  - ▷ *L'appareil est tombé et/ou a été endommagé et/ou présente des signes évidents de dommage*
- ▶ *Débranchez le cordon d'alimentation avant de desserrer les vis à oreilles et serrez toujours les vis à oreilles avec un tournevis avant de mettre le système en marche*
- ▶ *Il est recommandé d'installer l'appareil uniquement dans une salle de serveurs ou une salle informatique où l'accès est:*
  - ▷ *Réservé au personnel de service qualifié ou aux utilisateurs familiarisés avec les restrictions appliquées à l'emplacement, aux raisons de ces restrictions et toutes les précautions requises*
  - ▷ *Uniquement autorisé par l'utilisation d'un outil, d'une serrure et d'une clé, ou d'un autre moyen de sécurité, et contrôlé par l'autorité responsable de l'emplacement*



**RISQUE DE BRÛLURES**

*Ne touchez pas cette surface, cela pourrait entraîner des blessures.  
Pour éviter tout danger, laissez la surface refroidir avant de la toucher.*

## Getting Service

Ask an Expert: <http://askanexpert.adlinktech.com>

### **ADLINK Technology, Inc.**

No. 66, Huaya 1st Rd., Guishan Dist.,  
Taoyuan City 333411, Taiwan  
Tel: +886-3-216-5088  
Fax: +886-3-328-5706  
Email: [service@adlinktech.com](mailto:service@adlinktech.com)

### **Ampro ADLINK Technology, Inc.**

6450 Via Del Oro  
San Jose, CA 95119-1208, USA  
Tel: +1-408-360-0200  
Toll Free: +1-800-966-5200 (USA only)  
Fax: +1-408-600-1189  
Email: [info@adlinktech.com](mailto:info@adlinktech.com)

### **ADLINK Technology (China) Co., Ltd.**

300 Fang Chun Rd., Zhangjiang Hi-Tech Park  
Pudong New Area, Shanghai, 201203 China  
Tel: +86-21-5132-8988  
Fax: +86-21-5132-3588  
Email: [market@adlinktech.com](mailto:market@adlinktech.com)

### **ADLINK Technology GmbH**

Hans-Thoma-Strasse 11  
D-68163 Mannheim, Germany  
Tel: +49-621-43214-0  
Fax: +49-621 43214-30  
Email: [emea@adlinktech.com](mailto:emea@adlinktech.com)

### **ADLINK Technology, Inc. (UK Liaison Office)**

First Floor West Exeter House, Chichester Fields Business Park  
Tangmere, West Sussex, PO20 2FU, United Kingdom  
Tel: +44-1243-859677  
Email: [uk@adlinktech.com](mailto:uk@adlinktech.com)

Please visit the Contact page at [www.adlinktech.com](http://www.adlinktech.com) for information on how to contact the ADLINK regional office nearest you.