

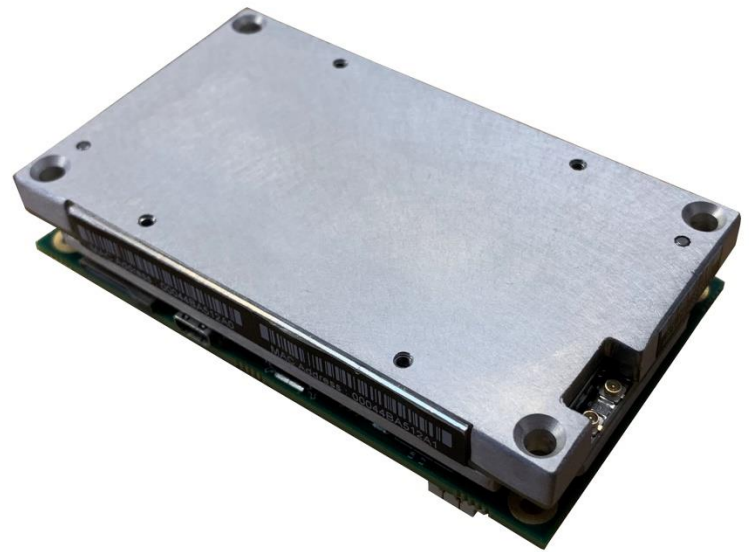


LEOPARD IMAGING INC

# LI-JETSON-6CAM-SOM Data Sheet

## Technical details

- Carrier board for NVIDIA® Jetson™ TX1/TX2 SOM
- Same size as the TX1/TX2 SOM
- Includes FPGA to support camera sync (which also depends on the camera board)
- 6 MIPI CSI-2 camera interfaces (2-lane)
- 1 Micro SD card interface
- 1 Micro HDMI connector
- 1 Power interface (DC 12V)
- 1 USB 2.0 micro B interface
- 1 Fan connector (4 pin)
- 2 UART interface
- 1 I2C Master interface
- Weight: 30g (without TX1/2 SOM)
- Size: 87mm x 50mm
- Part#: **LI-JETSON-6CAM-SOM**



## BOM

TX1/TX2 SOM not included

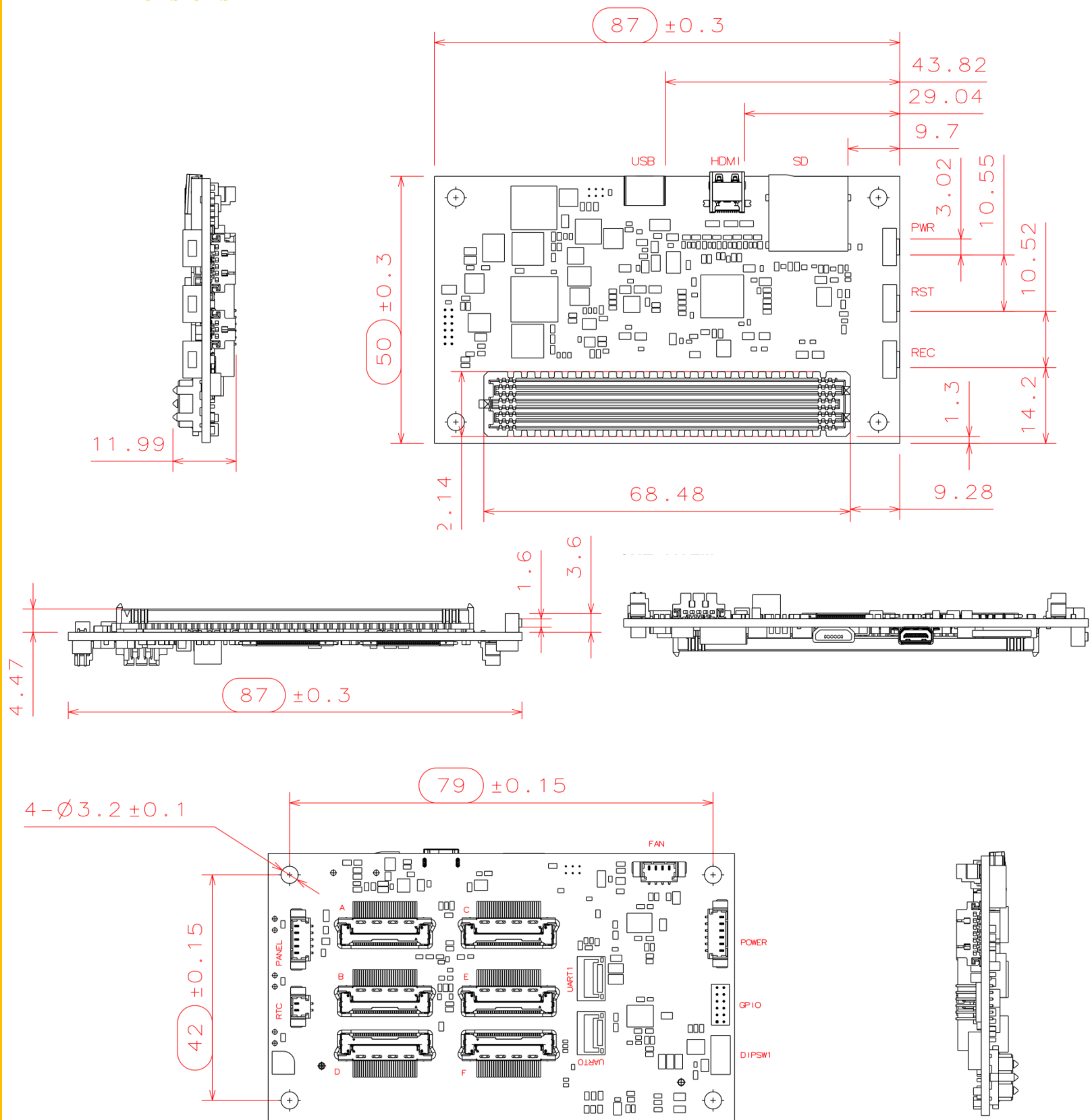
#	Items	QTY
1	LI-JETSON-6CAM-SOM board	1
2	DC 12V power supply	1
3	USB 2.0 Type A - Micro B cable	1



Leopard Imaging Inc.

48820 Kato Rd, Suite 100B, Fremont, CA 94538, USA  
 Phone: +1-408-263-0988  
 Fax: +1-408-217-1960  
 Email: sales@leopardimaging.com  
 Website: www.leopardimaging.com

# Dimensions



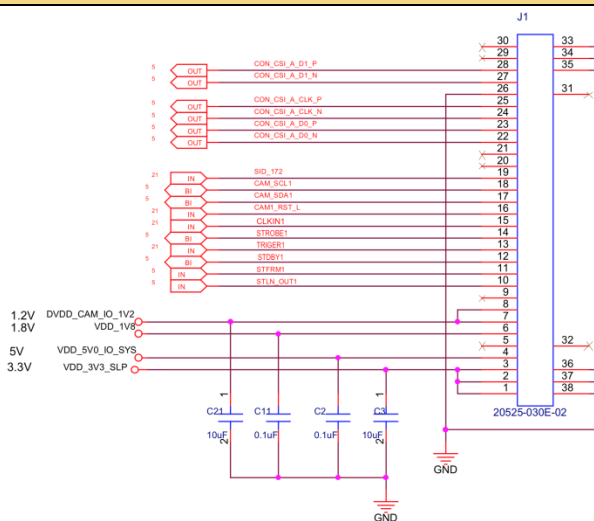
Leopard Imaging Inc.

48820 Kato Rd, Suite 100B, Fremont, CA 94538, USA  
 Phone: +1-408-263-0988  
 Fax: +1-408-217-1960  
 Email: sales@leopardimaging.com  
 Website: www.leopardimaging.com

# Interfaces

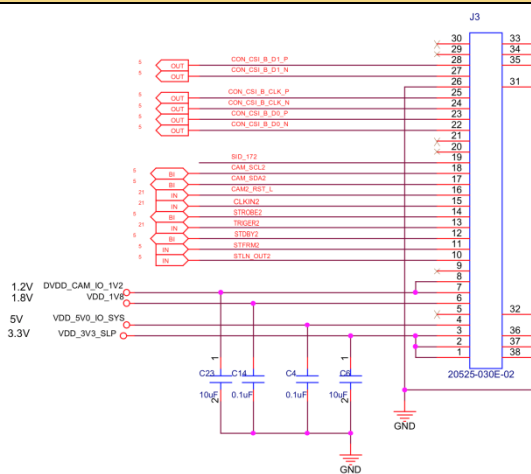
## Interface J1 (camera channel A)

- Part#: 20525-030E-02C
- Number of Positions: 30
- Pitch: 0.4mm
- Mating I-PEX cable: FAW-1233-03 (300mm)



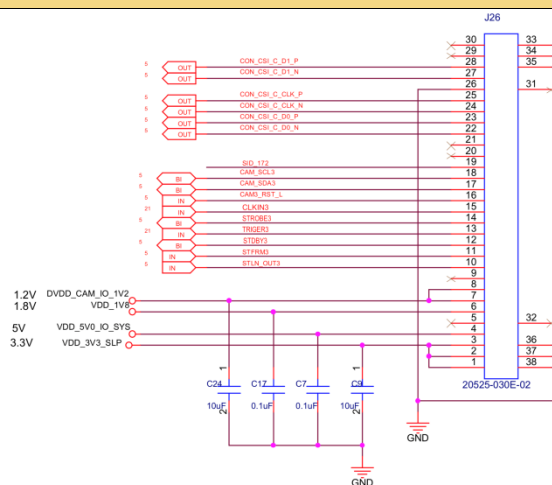
## Interface J3 (camera channel B)

- Part#: 20525-030E-02C
- Number of Positions: 30
- Pitch: 0.4mm
- Mating I-PEX cable: FAW-1233-03 (300mm)



## Interface J26 (camera channel C)

- Part#: 20525-030E-02C
- Number of Positions: 30
- Pitch: 0.4mm
- Mating I-PEX cable: FAW-1233-03 (300mm)

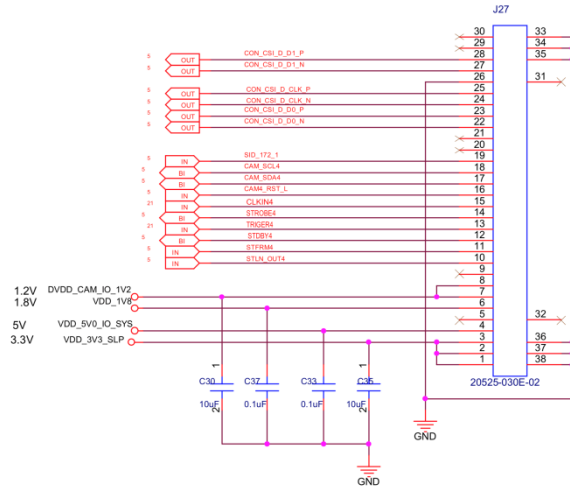


Leopard Imaging Inc.

48820 Kato Rd, Suite 100B, Fremont, CA 94538, USA  
 Phone: +1-408-263-0988  
 Fax: +1-408-217-1960  
 Email: sales@leopardimaging.com  
 Website: www.leopardimaging.com

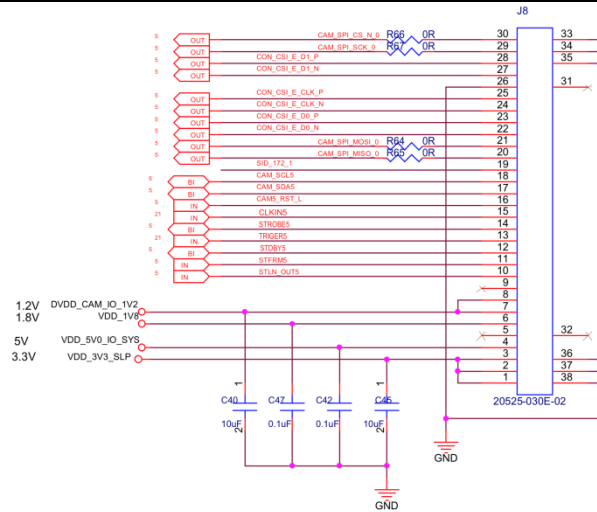
## Interface J27 (camera channel D)

- Part#: 20525-030E-02C
- Number of Positions: 30
- Pitch: 0.4mm
- Mating I-PEX cable:  
FAW-1233-03 (300mm)



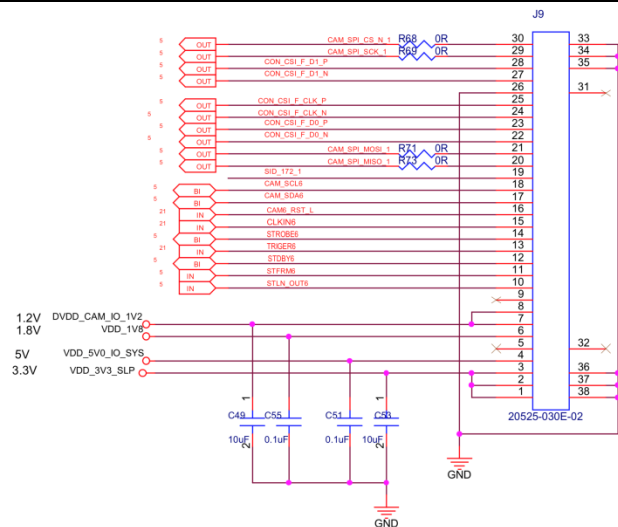
## Interface J8 (camera channel E)

- Part#: 20525-030E-02C
- Number of Positions: 30
- Pitch: 0.4mm
- Mating I-PEX cable:  
FAW-1233-03 (300mm)



## Interface J9 (camera channel F)

- Part#: 20525-030E-02C
- Number of Positions: 30
- Pitch: 0.4mm
- Mating I-PEX cable:  
FAW-1233-03 (300mm)

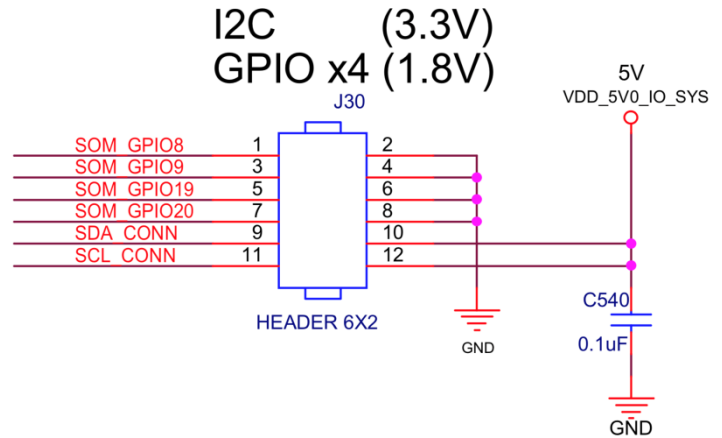


Leopard Imaging Inc.

48820 Kato Rd, Suite 100B, Fremont, CA 94538, USA  
 Phone: +1-408-263-0988  
 Fax: +1-408-217-1960  
 Email: sales@leopardimaging.com  
 Website: www.leopardimaging.com

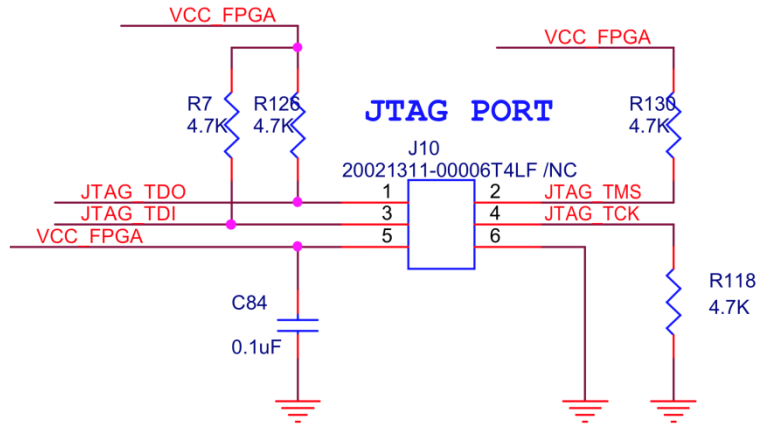
### Interface J30 (I2C & GPIO header)

- Part#: 20021311-00012T4LF
- Number of Contacts: 12
- Number of Rows: 2
- Pitch: 1.27 mm
- Mating Connector: 20021111-00012T4LF



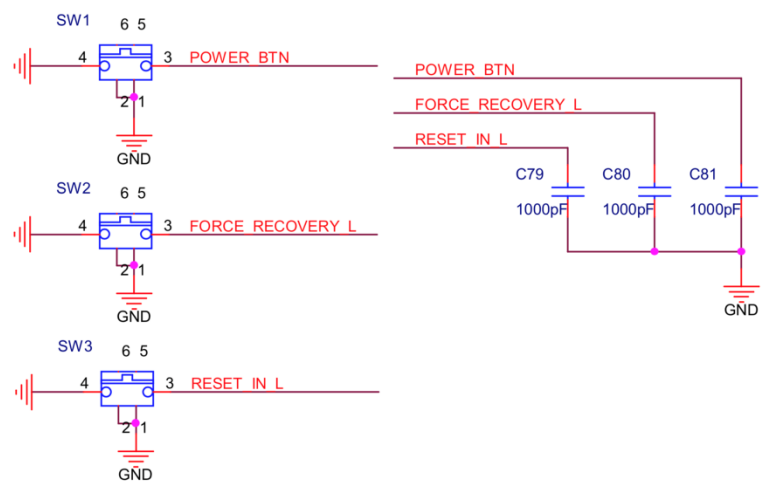
### Interface J10 (JTAG header)

- 6-pin interface
- For FPGA programming



### Button SW1, SW2, SW3

- Part#: TL3330AF130QG
- Actuator Type: Rectangular Button

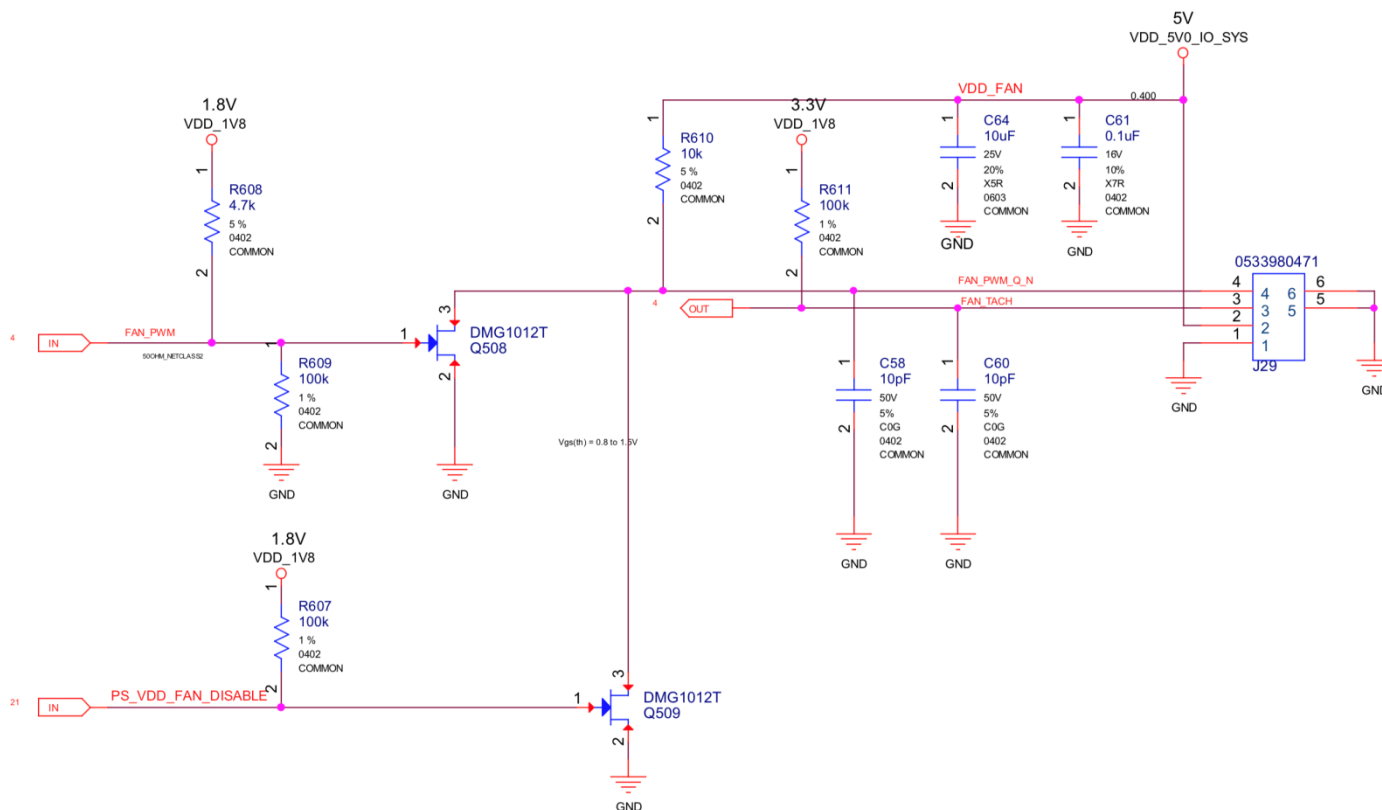


Leopard Imaging Inc.

48820 Kato Rd, Suite 100B, Fremont, CA 94538, USA  
 Phone: +1-408-263-0988  
 Fax: +1-408-217-1960  
 Email: sales@leopardimaging.com  
 Website: www.leopardimaging.com

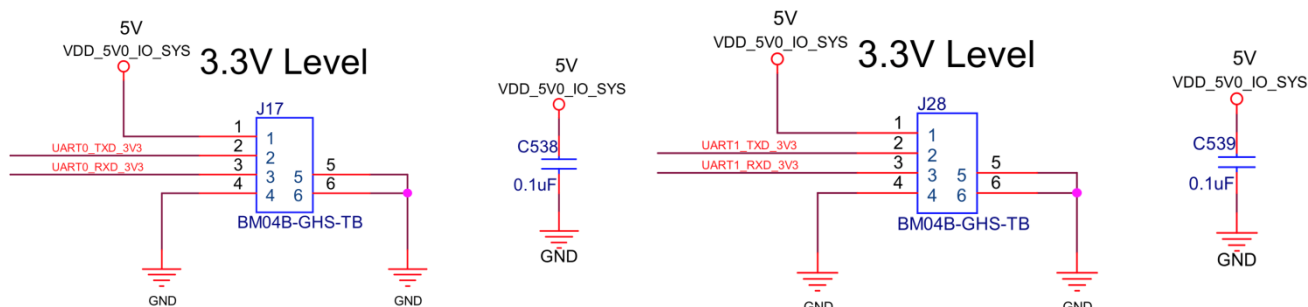
## Fan Interface (J29)

- Part#: 0533980471
- Number of Contacts: 4
- Pitch: 1.25 mm
- Mating Connector: 0510210400



## UART Interface (J17 & J28)

- Part#: BM04B-GHS-TB
- Number of Contacts: 4
- Pitch: 1.25 mm
- Mating Connector: GHR-04V-S

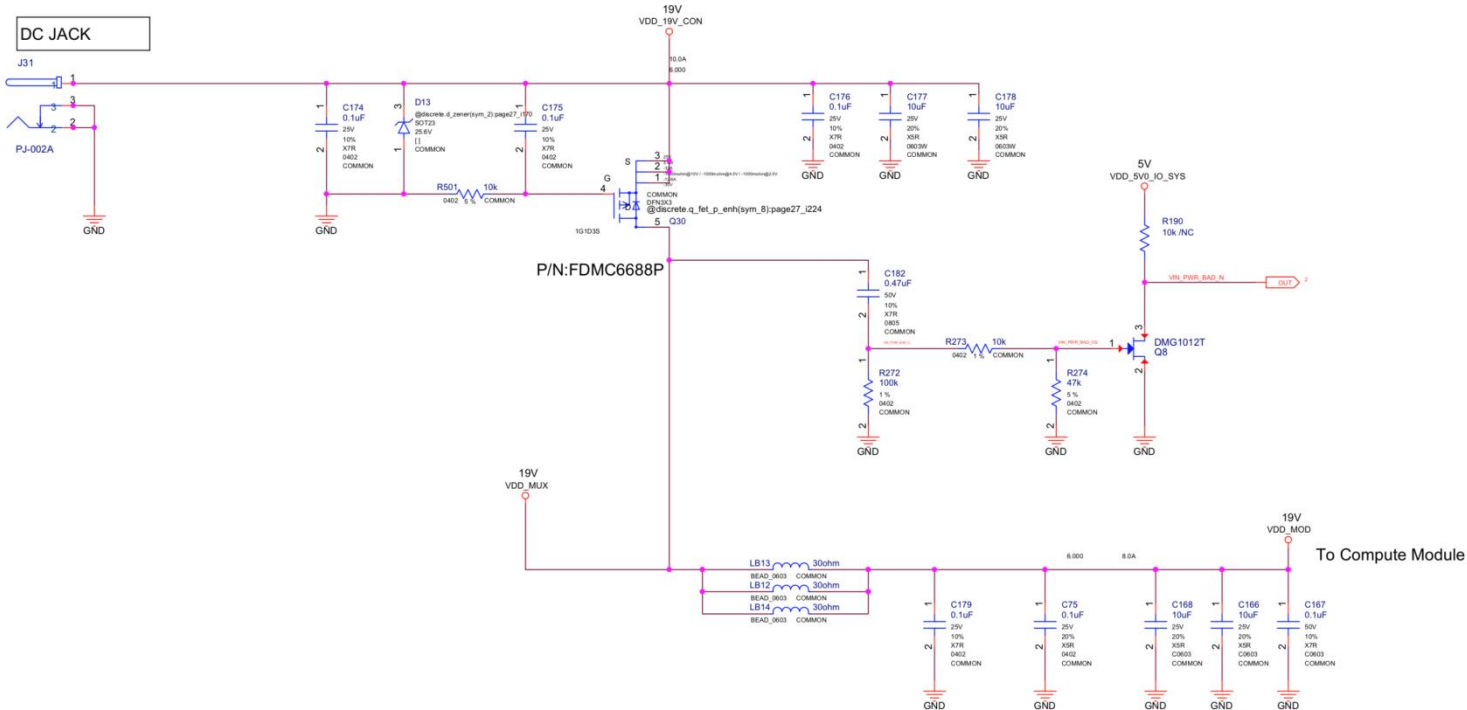


Leopard Imaging Inc.

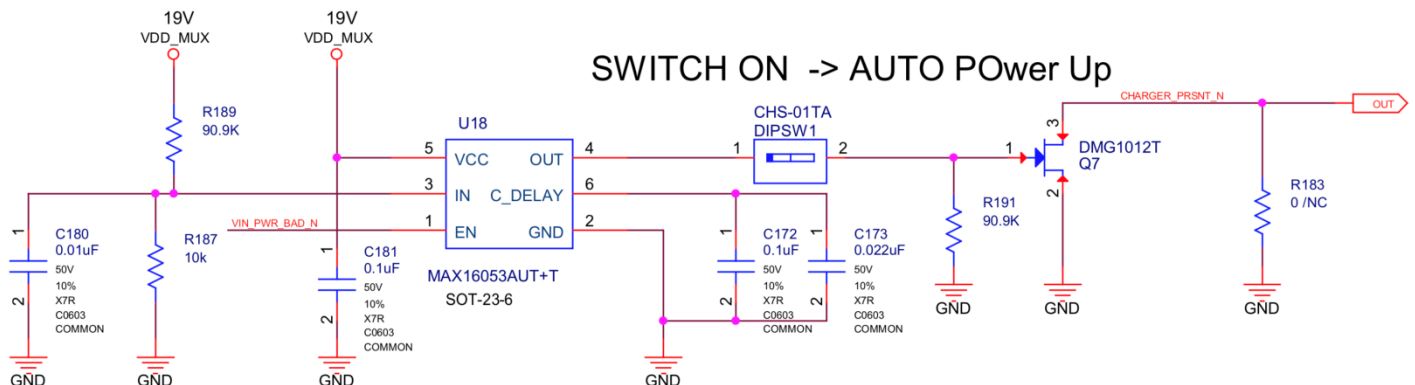
48820 Kato Rd, Suite 100B, Fremont, CA 94538, USA  
 Phone: +1-408-263-0988  
 Fax: +1-408-217-1960  
 Email: sales@leopardimaging.com  
 Website: www.leopardimaging.com

## Power Interface (J31)

- Part#: PJ-002A
- Number of Positions/Contacts: 2 Conductors, 3 Contacts
- Actual Diameter: 0.079" (2.00mm ID), 0.217" (5.50mm OD)
- Industry Recognized Mating Diameter: 2.10mm ID (0.083"), 5.50mm OD (0.217")



## Auto Power Switch (DIPSW1)



Leopard Imaging Inc.

48820 Kato Rd, Suite 100B, Fremont, CA 94538, USA  
 Phone: +1-408-263-0988  
 Fax: +1-408-217-1960  
 Email: sales@leopardimaging.com  
 Website: www.leopardimaging.com

## Revision History

Revision	Description	Release Date
1.0	First Release	30. Nov. 2018
1.1	Use new power connector	19. Apr. 2019

