

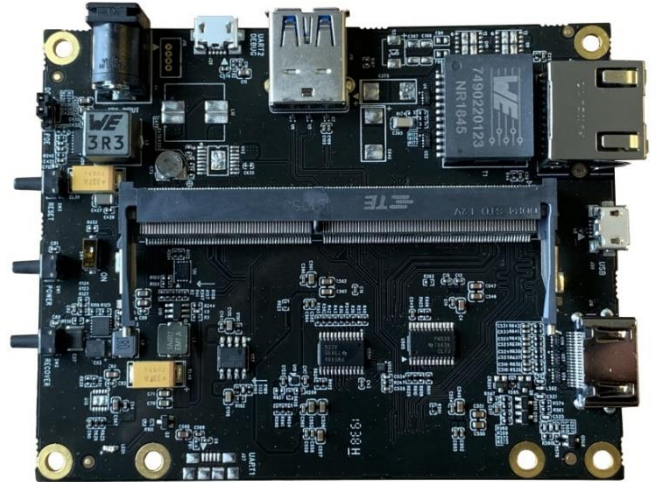


LEOPARD IMAGING INC

LI-NANO-CB Data Sheet

Technical details

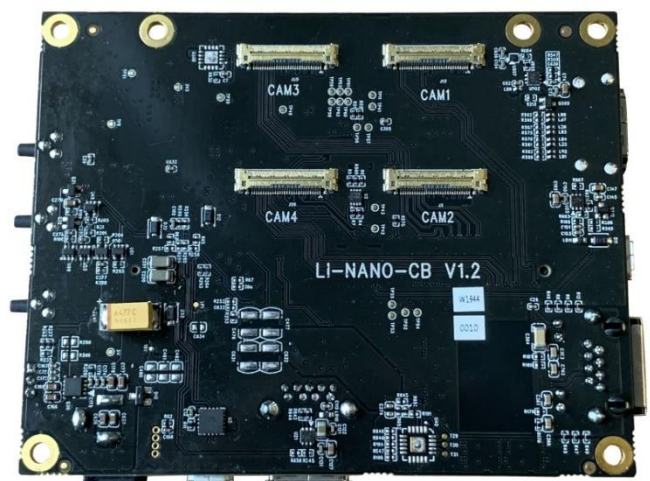
- Carrier board for NVIDIA® Jetson Nano™ SOM
- Compatible with NVIDIA® Jetson Xavier NX™ SOM
- 4 MIPI CSI-2 camera interfaces (2 x 2-lane and 2 x 4-lane)
- 1 Power interface (DC 12V)
- 1 HDMI interface
- 1 USB3.0 interface
- 1 RJ45 Ethernet interface
- 1 USB 2.0 micro B interface
- 2 UART interfaces (only one populated)
- 1 External I2C interface
- PoE supported (options)
- Weight: 60.7g (without Nano SOM)
- Size: 100mm x 79mm
- Part#: **LI-NANO-CB**



BOM

NANO or Xavier NX SOM not included

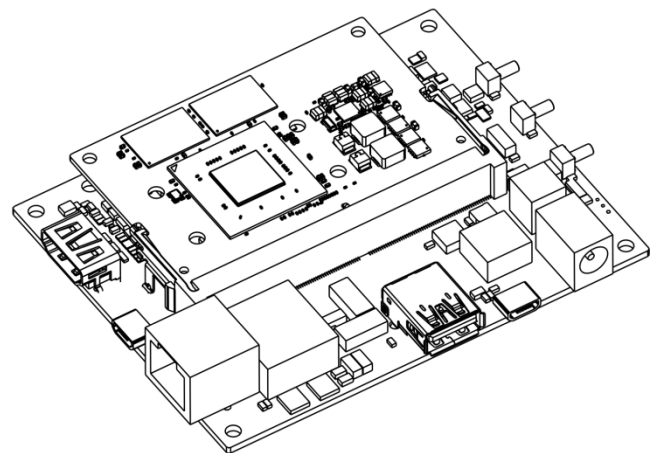
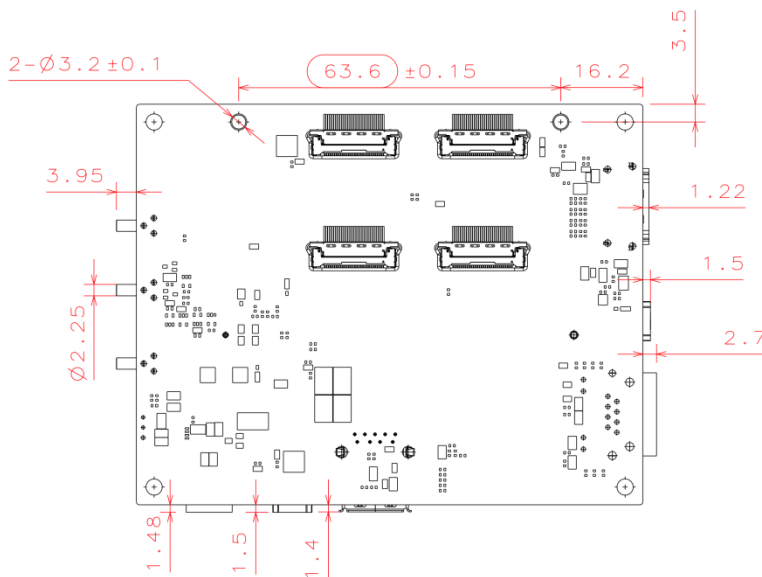
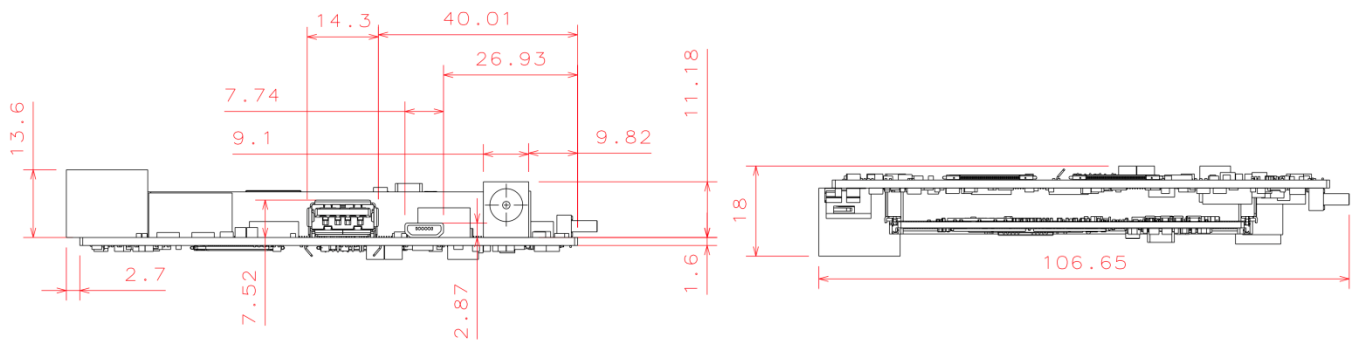
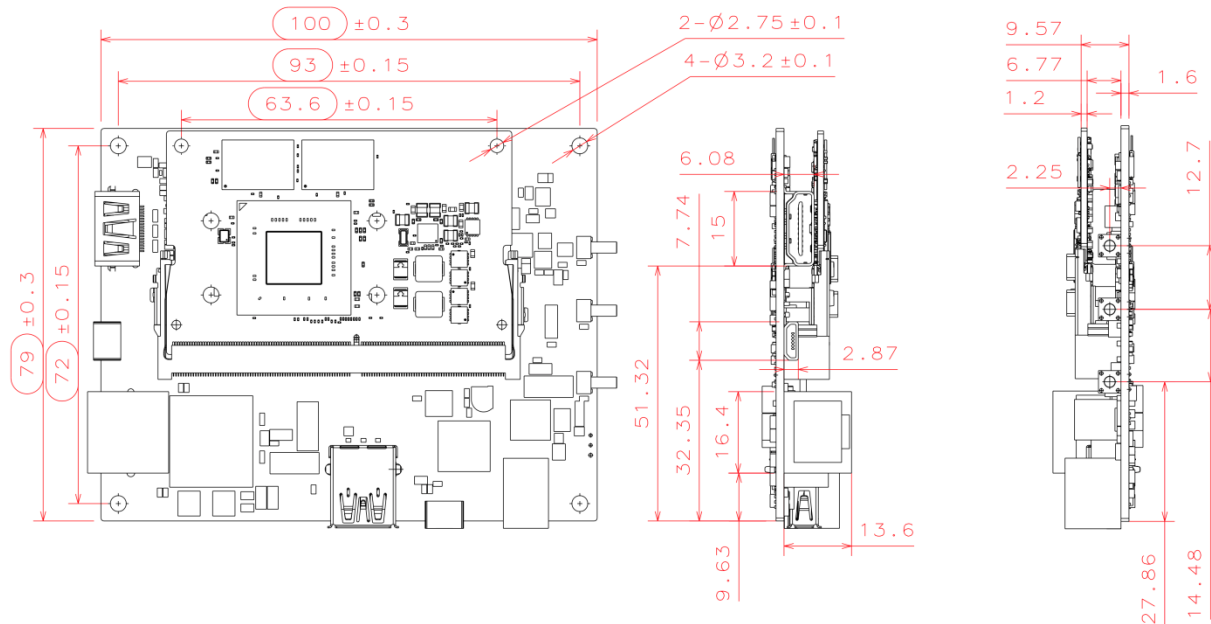
#	Items	QTY
1	LI-NANO-CB board	1
2	DC 12V power supply	1
3	USB 2.0 Type A - Micro B cable	1



Leopard Imaging Inc.

48820 Kato Rd, Suite 100B, Fremont, CA 94538, USA
Phone: +1-408-263-0988
Fax: +1-408-217-1960
Email: sales@leopardimaging.com
Website: www.leopardimaging.com

Dimensions



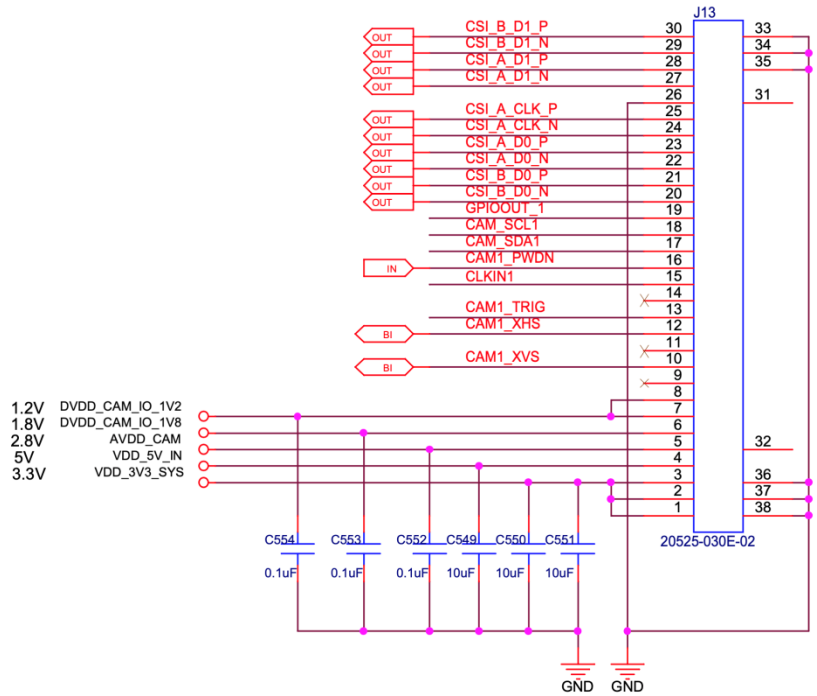
Leopard Imaging Inc.

48820 Kato Rd, Suite 100B, Fremont, CA 94538, USA
 Phone: +1-408-263-0988
 Fax: +1-408-217-1960
 Email: sales@leopardimaging.com
 Website: www.leopardimaging.com

Interfaces

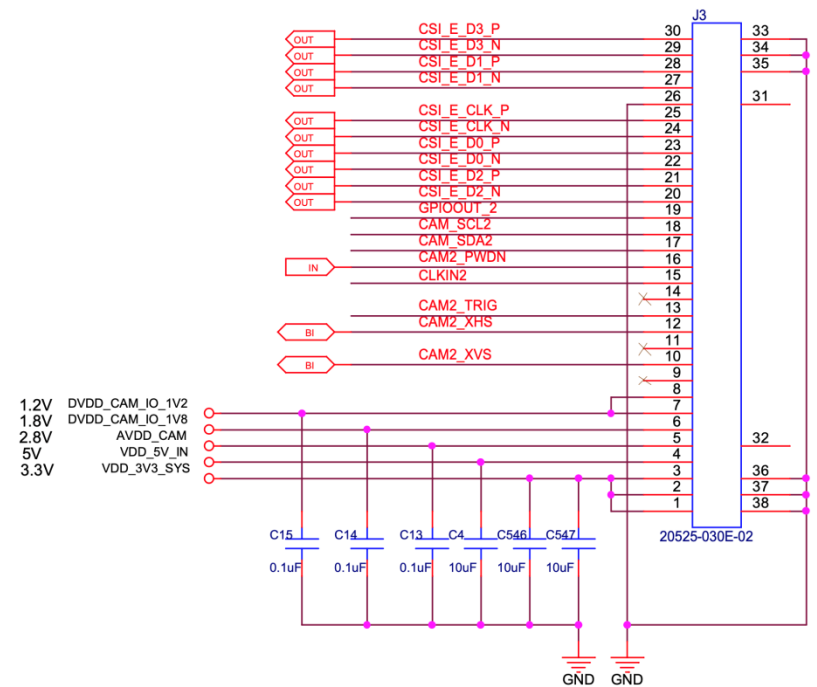
Interface J13 (CAM1)

- Part#: 20525-030E-02C
- Number of Positions: 30
- Pitch: 0.4mm
- Mating I-PEX cable: FAW-1233-xx



Interface J3 (CAM2)

- Part#: 20525-030E-02C
- Number of Positions: 30
- Pitch: 0.4mm
- Mating I-PEX cable: FAW-1233-xx

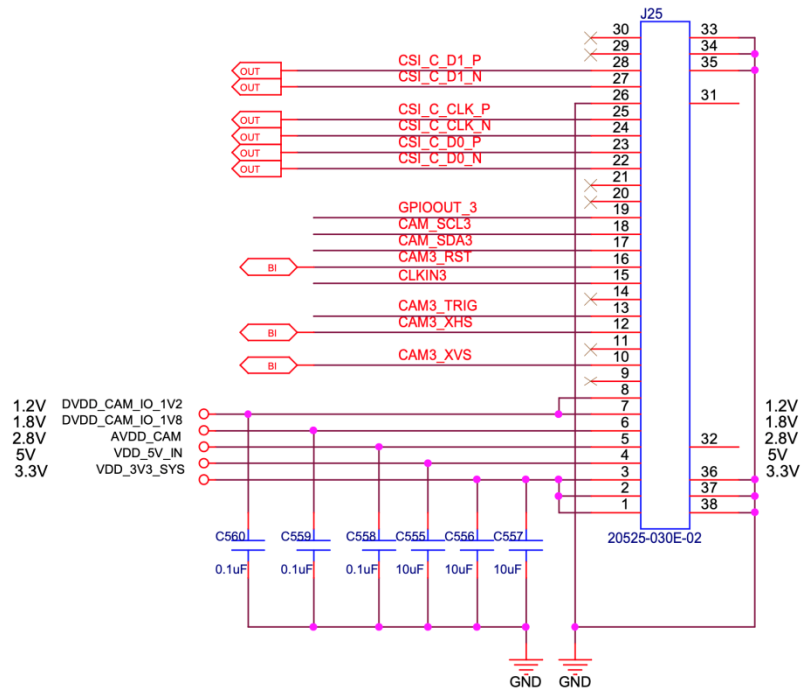


Leopard Imaging Inc.

48820 Kato Rd, Suite 100B, Fremont, CA 94538, USA
 Phone: +1-408-263-0988
 Fax: +1-408-217-1960
 Email: sales@leopardimaging.com
 Website: www.leopardimaging.com

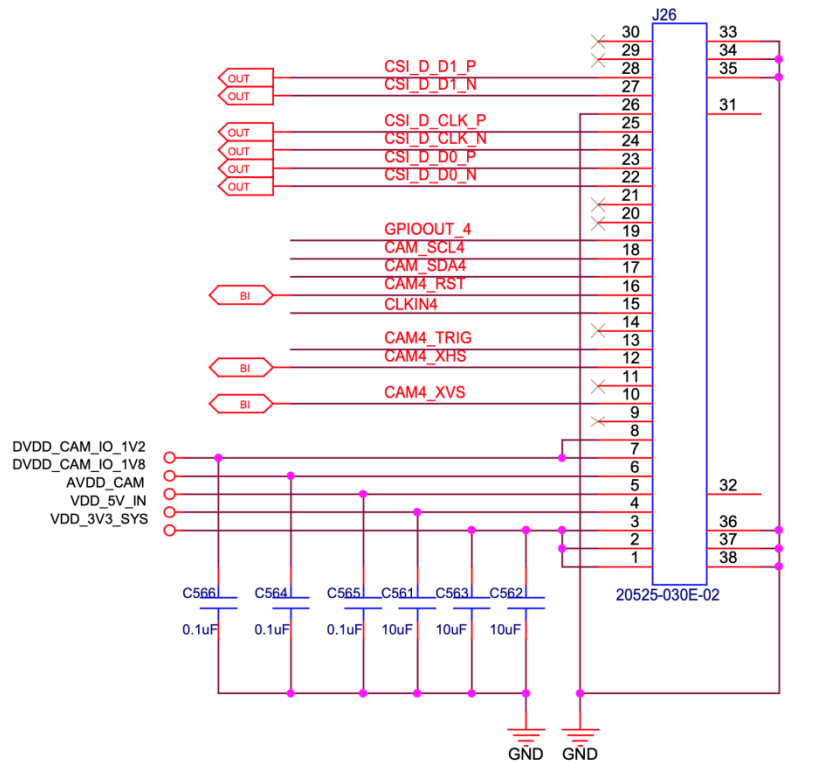
Interface J25 (CAM3)

- Part#: 20525-030E-02C
- Number of Positions: 30
- Pitch: 0.4mm
- Mating I-PEX cable: FAW-1233-xx



Interface J26 (CAM4)

- Part#: 20525-030E-02C
- Number of Positions: 30
- Pitch: 0.4mm
- Mating I-PEX cable: FAW-1233-xx

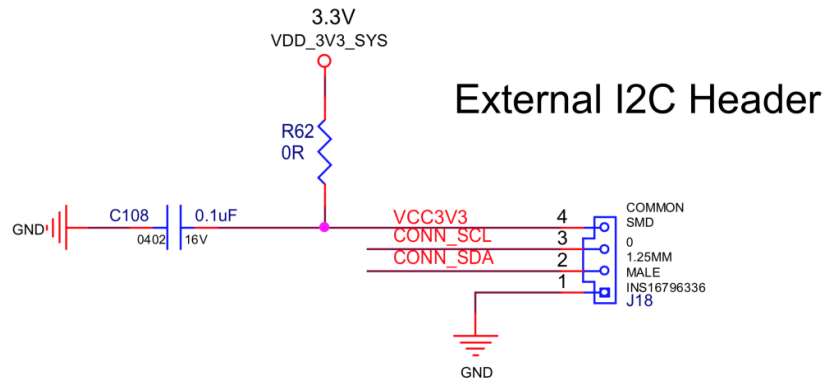


Leopard Imaging Inc.

48820 Kato Rd, Suite 100B, Fremont, CA 94538, USA
 Phone: +1-408-263-0988
 Fax: +1-408-217-1960
 Email: sales@leopardimaging.com
 Website: www.leopardimaging.com

Interface J18 (I2C header)

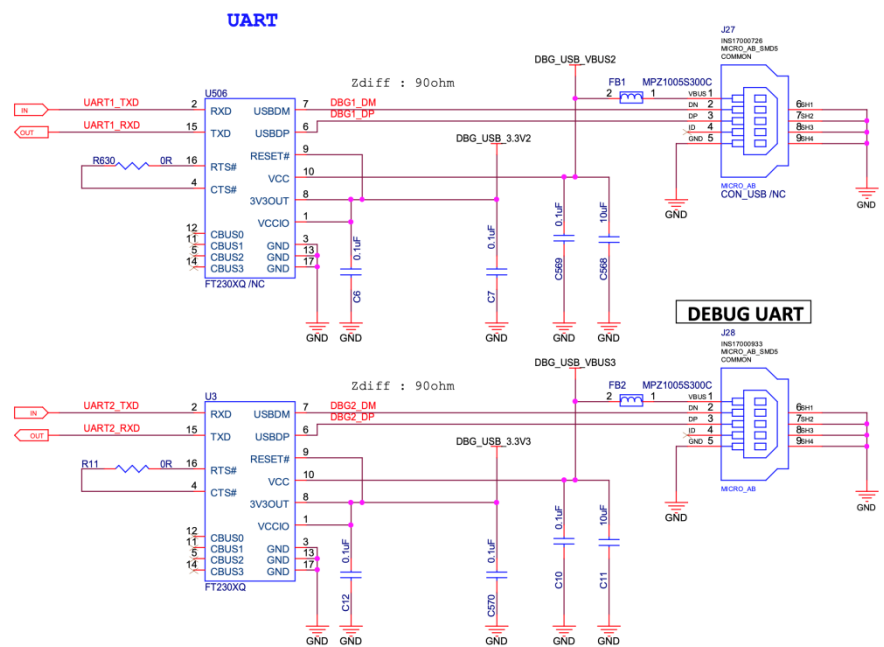
- Number of Positions: 4
- Pitch: 1.25 mm



J27, J28 (UART)

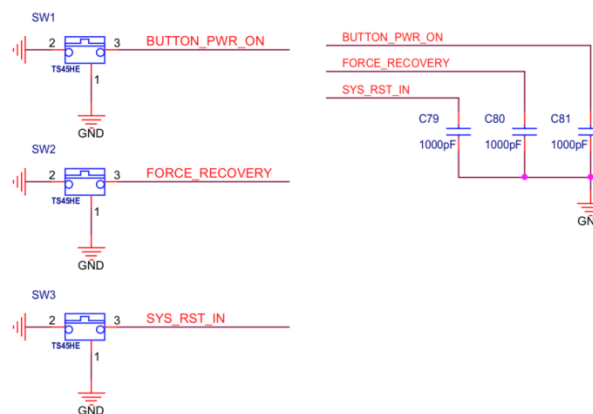
- USB 2.0 micro-B interface

Note: R27 is not populated.



Buttons (Power, Force_Recovery, Reset)

- Part#: TS45HE



Leopard Imaging Inc.

48820 Kato Rd, Suite 100B, Fremont, CA 94538, USA
 Phone: +1-408-263-0988
 Fax: +1-408-217-1960
 Email: sales@leopardimaging.com
 Website: www.leopardimaging.com

Revision History

Revision	Description	Release Date
1.0	First Release	09. Jul. 2019
1.1	Update the board to V1.2 version	11. Nov. 2019
1.2	Add NX support info	3. Apr. 2020



Leopard Imaging Inc.

48820 Kato Road, Suite 100B, Fremont, CA 94538, USA
Phone: +1-408-263-0988
Fax: +1-408-217-1960
Email: sales@leopardimaging.com
Website: www.leopardimaging.com